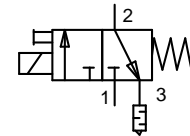




Closing valve, 3/2-way

Size 1

VS 22
VS 23
G 1/4
G 3/8
24 V DC (direct current)

NC

Characteristics

Type	VS 22	VS 23
Connection	G 1/4	G 3/8
Type of construction	Closing valve - Electro-pneumatic - Pilot-controlled - Closed when de-energised - Manual override	
Working pressure	3 to 10 bar	
Medium temperature Ambient temperature	max. 50 °C	
Degree of protection	IP65 acc. to DIN 40050	
Rated voltage	24 V DC (direct current) 230V / 50 Hz 24V / 50 Hz 110V / 50 Hz	
Electrical connection	Connector socket acc. to DIN 43650 Type B Pg 9	
Weight [g]	445	

Ordering information

Type	Connection	Variants
VS	2X	X

Connection	
X = 2	G 1/4
X = 3	G 3/8
Variants on request	
.317	220 V/50 Hz
.307	110 V/50 Hz
.301	24 V/50 Hz
Order example: VS 22.317	

Description

- Block design
- **Flow direction** indicated by **arrows** on front plate
- Manual override

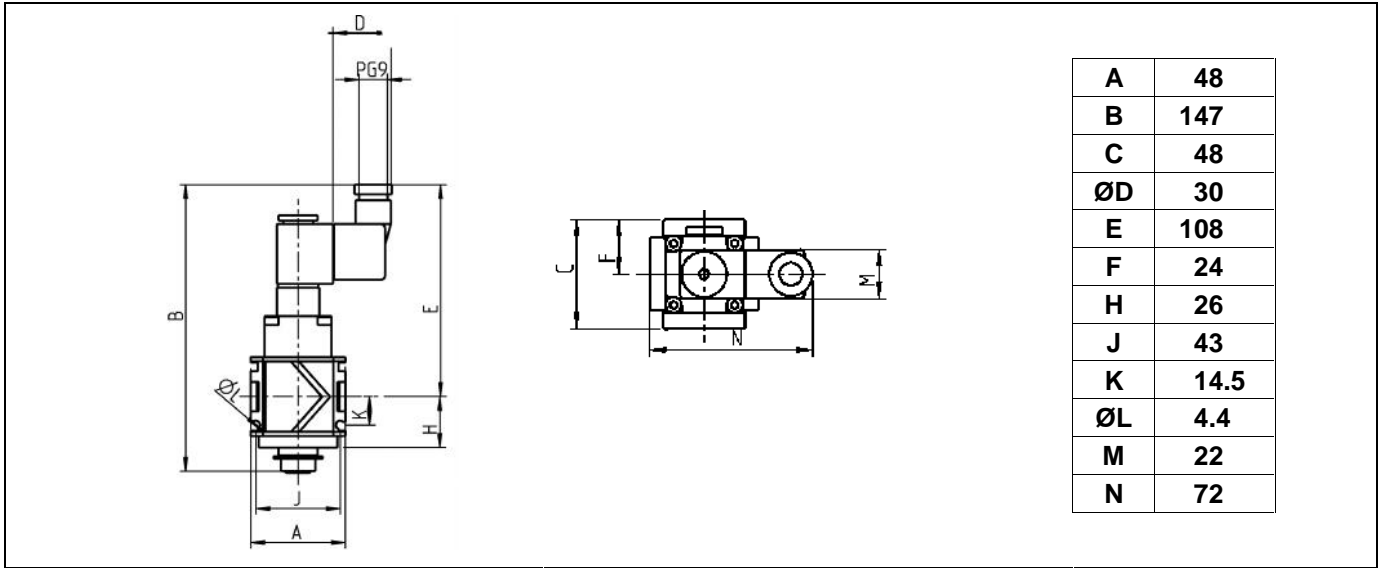
Materials

Part	Material
Head piece (housing)	Z 410
Seals	NBR
Pilot valve	Al
Front plates	ABS

Accessories

Compact conn. set 1/4"	VZ 101
Compact conn. set 3/8"	VZ 102
Tee holder (for VZ 101)	VZ 301
Tee holder (for VZ 102)	VZ 302
Solenoid 24 V DC	400-447-142
Solenoid 230 V/50 Hz	400-447-117
Solenoid 24 V/50 Hz	400-447-101
Solenoid 110 V/50 Hz	400-447-107
Connector Pg 9B	1.920.9B

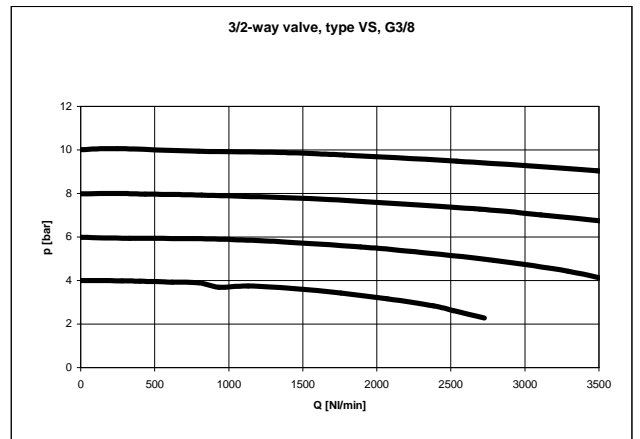
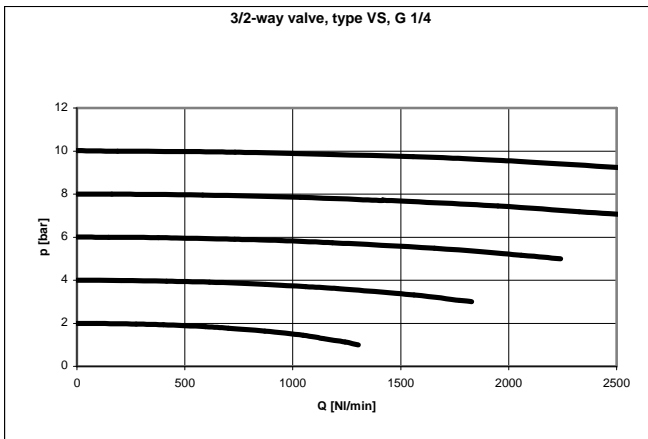
Dimensions [mm]



VS 22 VS 23

Flow rates

		VS 22	VS 23
Nominal flow p ₂ 6 bar / 1 bar	QN [l/min]	2200	2600



© Riegler 7-10

Interlocking / mounting

Variobloc

Size 1 G 1/4

Fixing bracket and fixing nut	630/1-B
Fixing bracket and two screws	VZ 718
Compact connecting set	VZ 101
Compact conn. set, incl. tee holder	VZ 201
Comfort connecting set	VZ 401

Size 1 G 3/8

Fixing bracket and fixing nut	630/1-B
Fixing bracket and two screws	VZ 718
Compact connecting set	VZ 102
Compact conn. set, incl. tee holder	VZ 202
Comfort connecting set	VZ 402

Size 2 G 1/2

Fixing bracket and fixing nut	
Fixing bracket and two screws	
Compact connecting set	
Compact conn. set, incl. tee holder	
Comfort connecting set	

Size 2 G 3/4

Fixing bracket and fixing nut	
Fixing bracket and two screws	
Compact connecting set	
Compact conn. set, incl. tee holder	
Comfort connecting set	

