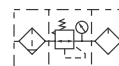


»GA« Series

GAFRL 11–GAFRL 55 A

Symbol



Product features

Three-piece service units consisting of a reversible diaphragm pressure regulator, independent of inlet pressure, with self-relieving design, centrifugal separator and proportional lubricator.

Specifications / Technical data

Type	Size 300			Size 400		Size 600		
	GAFRL 11, GAFRL 11 A	GAFRL 12, GAFRL 12 A	GAFRL 13, GAFRL 13 A	GAFRL 32, GAFRL 32 A	GAFRL 33, GAFRL 33 A	GAFRL 34, GAFRL 34 A	GAFRL 55, GAFRL 55 A	
Fluid	Air							
Port size	1/4"	3/8"	1/2"	3/8"	1/2"	3/4"	1"	
Filtering grade	5 µm (40 µm on request)							
Pressure range	1.5 to 9 bar (0.15 to 0.9 MPa, 20 to 130 psi)							
Proof pressure	10 bar (1.5 MPa, 145 psi)							
Temperature range	-5 to 70 °C							
Capacity of drain bowl	60 cm ³			100 cm ³		205 cm ³		
Capacity of oil bowl	98 cm ³			185 cm ³		410 cm ³		
Recommended lubricant	Mineral oil, viscosity 32 cSt, acc. to DIN 51524 - ISO VG 32							
Weight	1300 g			2390 g		4600 g		
Constitute	Filter	GAF 11, GAF 11 A	GAF 12, GAF 12 A	GAF 13, GAF 13 A	GAF 32, GAF 32 A	GAF 33, GAF 33 A	GAF 34, GAF 34 A	GAF 55, GAF 55 A
	Regulator	GAR 11	GAR 12	GAR 13	GAR 32	GAR 33	GAR 34	GAR 55
	Lubricator	GAL 11	GAL 12	GAL 13	GAL 32	GAL 33	GAL 34	GAL 55

Ordering information

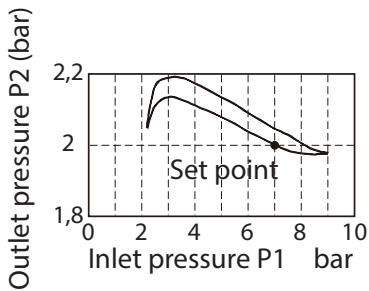
Type	description
GAFRL 11–GAFRL 13, GAFRL 32, GAFRL 33	Service units, 3-piece with polycarbonate bowl, bowl guard and joiner for wall mounting, semi-automatic drain valve
GAFRL 34, GAFRL 55	Service units, 3-piece with metal bowl, sight glass and joiner for wall mounting, semi-automatic drain valve
GAFRL 11 A–GAFRL 13 A, GAFRL 32 A, GAFRL 33 A	Service units, 3-piece with polycarbonate bowl, bowl guard and joiner for wall mounting, fully-automatic drain valve
GAFRL 34 A, GAFRL 55 A	Service units, 3-piece with metal bowl, sight glass and joiner for wall mounting, fully-automatic drain valve

»GA« Series

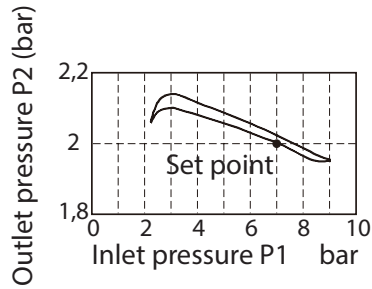
GAFRL 11–GAFRL 55 A

Pressure chart

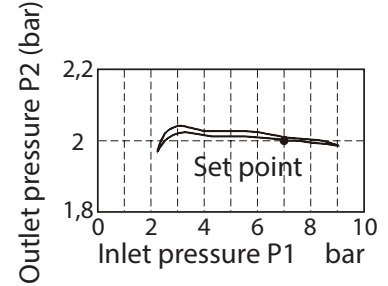
GAFRL 11–GAFRL 13,
GAFRL 11 A–GAFRL 13 A



GAFRL 32, GAFRL 33,
GAFRL 32 A, GAFRL 33 A

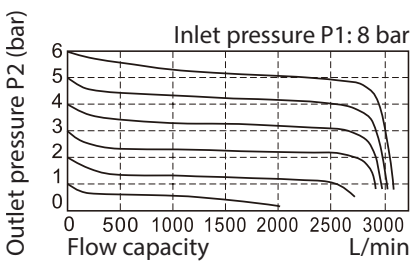


GAFRL 34, GAFRL 55,
GAFRL 34 A, GAFRL 55 A

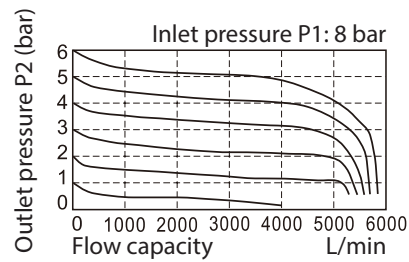


Flow chart

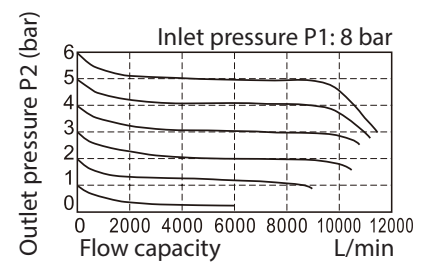
GAFRL 12*, GAFRL 13,
GAFRL 12 A, GAFRL 13 A



GAFRL 32, GAFRL 33,
GAFRL 32 A, GAFRL 33 A



GAFRL 34, GAFRL 55,
GAFRL 34 A, GAFRL 55 A



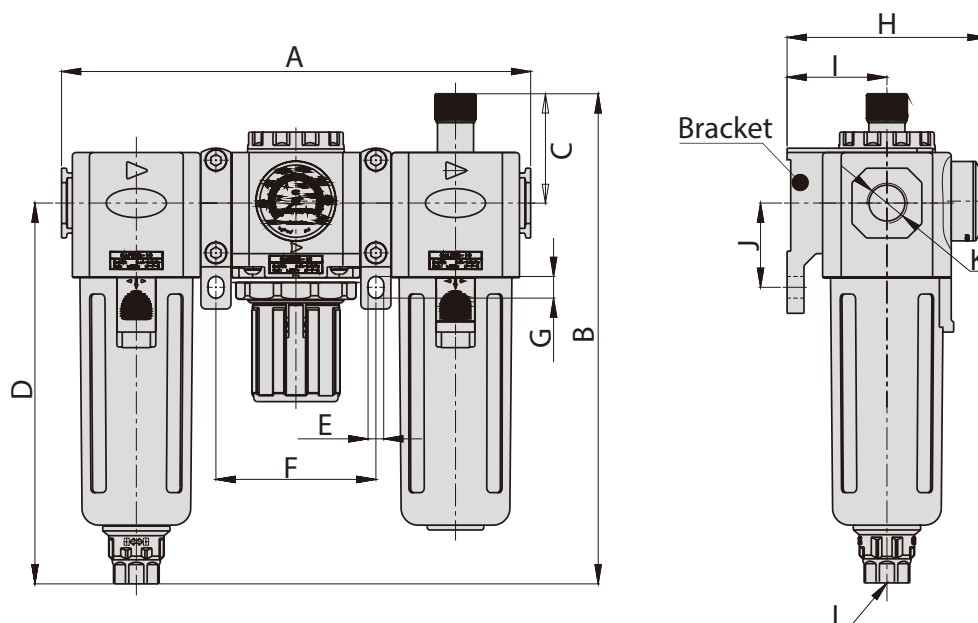
*Flow rates GAFRL 11, GAFRL 11 A approx. 22% less

»GA« Series

GAFRL 11–GAFRL 55 A

Body dimensions

GAFRL 11–GAFRL 13, GAFRL 32, GAFRL 33, GAFRL 11 A–GAFRL 13 A, GAFRL 32 A, GAFRL 33 A



Art. No.	Type	A	B	C	D	E	F	G	H	I	J	K	L
178505, 178510	GAFRL 11, GAFRL 11 A	195,0	203,5	45,5	158,0	6,5	66,5	9,0	83,0	41,5	35,0	1/4"	G1/4
178506, 178511	GAFRL 12, GAFRL 12 A	195,0	203,5	45,5	158,0	6,5	66,5	9,0	83,0	41,5	35,0	3/8"	G1/4
178507, 178512	GAFRL 13, GAFRL 13 A	195,0	203,5	45,5	158,0	6,5	66,5	9,0	83,0	41,5	35,0	1/2"	G1/4
178508, 178513	GAFRL 32, GAFRL 32 A	248,0	227,0	49,5	177,5	8,6	84,0	12,0	99,0	50,0	40,0	3/8"	G1/4
178509, 178514	GAFRL 33, GAFRL 33 A	248,0	227,0	49,5	177,5	8,6	84,0	12,0	99,0	50,0	40,0	1/2"	G1/4
178515, 178517	GAFRL 34, GAFRL 34 A	312,0	267,5	62,5	205,0	11,0	106,0	16,0	128,0	70,0	50,0	3/4"	G1/4
178516, 178518	GAFRL 55, GAFRL 55 A	312,0	267,5	62,5	205,0	11,0	106,0	16,0	128,0	70,0	50,0	1"	G1/4
Values, exception K = inch													

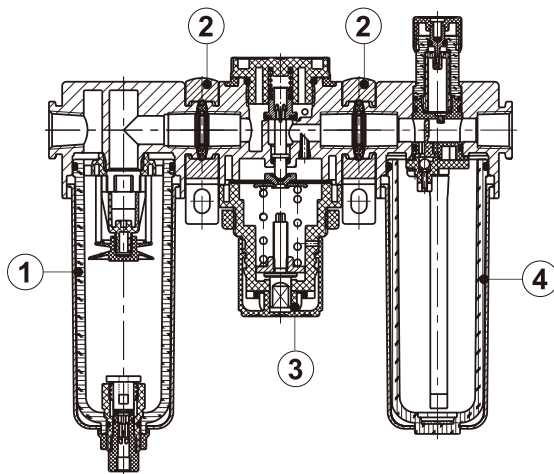
»GA« Series

GAFRL 11–GAFRL 55 A

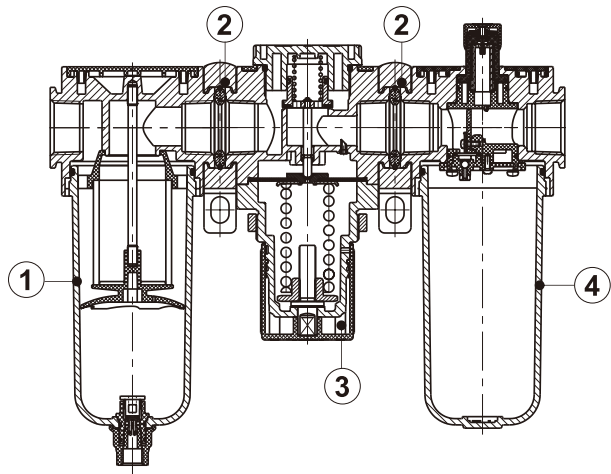
Components and materials

No.	Item	Material (body)
1	G series filter	Aluminium alloy
2	Bracket	Aluminium alloy
3	G series regulator	Aluminium alloy
4	G series lubricator	Aluminium alloy

GAFRL 11 - GAFRL 33 A








GAFRL 34 - GAFRL 55 A



»GA« Series

GAFRL 11–GAFRL 55 A

Accessories

	For GAFRL 11–GAFRL 13, GAFRL 11 A–GAFRL 13 A		For GAFRL 32–GAFRL 33, GAFRL 32 A–GAFRL 33 A		For GAFRL 34–GAFRL 55, GAFRL 34 A–GAFRL 55 A		description
	Art No.	Type	Art No.	Type	Art. No.	Type	
no image available	179141	GAR 11 120	179142	GAR 32 120	179142	GAR 32 120	Adapter plate for mounting standard pressure gauges
	101672	110.46-KD	101677	206-KD	101677	206-KD	Standard pressure gauges
	179146	GAF 11 400	179144	GAF 32 400	179143	GAF 34 400	Filter element 5 µm
	116613	UB 300	116614	UB 400	116615	UB 600	Joiner without wall mounting
	116516	LB 300	116517	LB 400	116518	LB 600	Joiner with wall mounting, 1 drilled hole
	116609	TB 300	116610	TB 400	116611	TB 600	Joiner with wall mounting, 2 drilled holes