



Filter regulator

Size 0

578.00 K-HA
578.01 K-HA

100781

100782

G 1/8

G 1/4

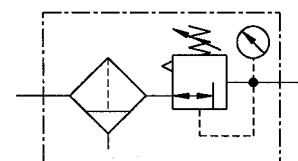
578.00 M
578.01 M

100783

100784

G 1/8

G 1/4

0.5 to 10 bar


Characteristics

| Type | 578.00 | 578.01 |
|--|--|--------|
| Port | G 1/8 | G 1/4 |
| Pressure gauge port | G 1/8 | |
| Type of construction | Diaphragm pressure regulator with self-relieving design Centrifugal filter Sintered filter element Special versions on request | |
| Input pressure p_1 | Max. 16 bar with plastic bowl Max. 25 bar with metal bowl | |
| Input pressure p_1 with automatic drain | Max. 10 bar Min. 1.5 bar | |
| Control range p_2 | 0.5 to 10 bar (standard) 0.5 to 3 bar / 0.5 to 6 bar / 0.5 to 16 bar on request | |
| Mounting position | Vertical, drain plug at bottom | |
| Mounting type | Bracket | |
| Medium temperature | -10 to 60 °C (other temperature | |
| Ambient temperature | -10 to 60 °C ranges on request) | |
| Filter rating | 5 µm / 40 µm , 8 µm on request | |
| Bowl capacity | Max. 16 cm ³ condensate | |
| Condensate drain | Semi-automatic (standard) Fully automatic (KS 11 F-A) Manual | |
| - Plastic bowl | | |
| - Metal bowl | | |
| Weight [g] | 258 / 328 with pressure gauge | |

Ordering information

Type Port Options

578.0X X
Order example: 578.01 K-HA

| Port | |
|-------------|--------------|
| 00 | G 1/8 |
| 01 | G 1/4 |
| Options | |
| K-HA | Plastic bowl |
| M | Metal bowl |

Description

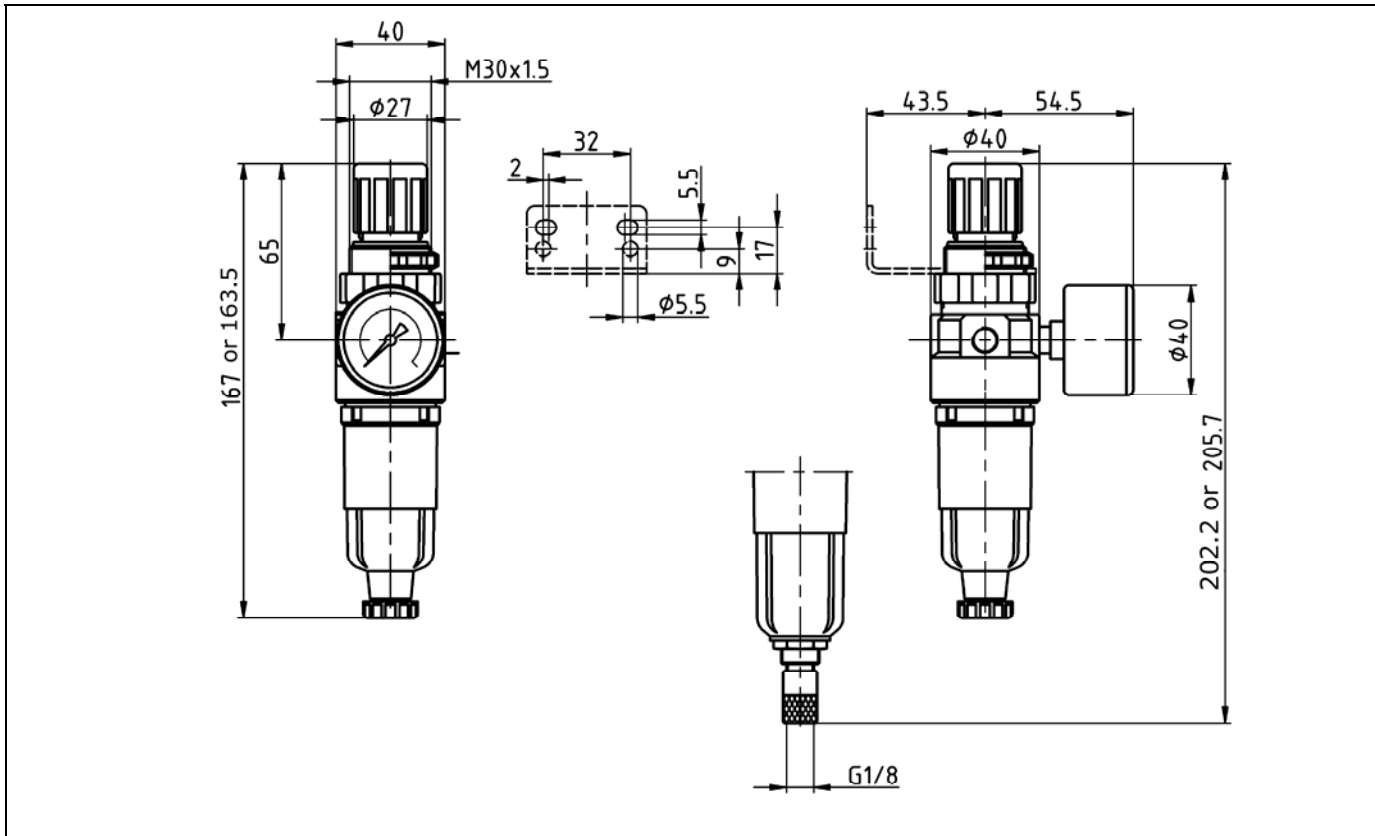
- Standard design
- Pressure setting can be locked by pushing the knob down
- Flow direction indicated by arrows
- **Entry in direction of arrow**
- **Independent of inlet pressure**
- Pressure gauge Ø40 included
- Pressure gauge can be mounted at both ends
- Filter rating acc. to ISO 4003

Materials

| Part | Material |
|-------------------------|-------------------------|
| Head piece (body) | Z 410 |
| Spring bonnet | POM-brass |
| Diaphragm | → NBR-brass |
| Pressure spring | Galvanised steel |
| Valve cone | → NBR-brass |
| Valve seat | PA-NBR |
| O-ring 9 x 1.5 | → NBR |
| Counter-pressure spring | Stainless steel |
| O-ring 30 x 2 | → NBR |
| Filter element 40 µm | Polyethylene (sintered) |
| Condensate bowl | Polycarbonate |
| Baffle | PA |

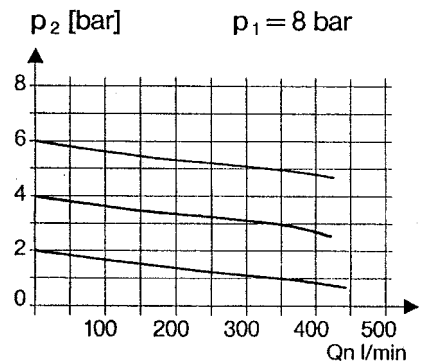
Accessories

| Designation | Art. No. | Ident No. |
|---|------------|-----------|
| Nut M 30 x 1.5 | R 11-55 | 100345 |
| Mounting bracket with nut R 11-55 | MV 30 | 100344 |
| Filter element 40 µm | on request | - |
| 5 µm | 611.6.905 | 100134 |
| Plastic bowl | 640/1-HA | 100357 |
| Metal bowl | 640/11 | 100358 |
| Automatic drain (plastic bowl only) | KS 11 F-A | 100361 |
| Automatic drain valve (only for plastic bowl) | 655.6.900 | 100362 |

Dimensions [mm]

Flow rates

 Flow rates at $p_1 = 8$ bar

| Output pressure p_2 | QN m^3/h | QN l/min |
|-----------------------|--------------------------|--------------------------|
| 6 | 21 | 350 |

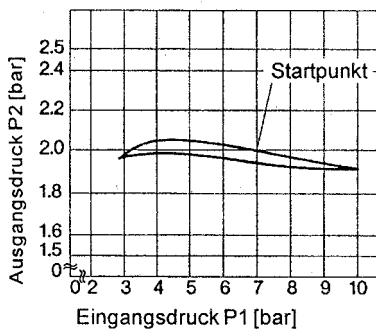
Flow characteristic

Hysteresis

 Hysteresis of p_2 as a function of rising (falling)

 p_1 at a constant draw-off rate QN 20 l/min

 Basic setting (starting point): p_1 : 7.0 bar

 p_2 : 2.0 bar

 $Q_n = 20$ l/min

Main spare parts

| Part | Art. No. | Ident No. |
|----------------------------|-----------|-----------|
| → Set of wearing parts | 22.501.4 | 100785 |
| - Diaphragm | | |
| - Valve cone | | |
| - O-ring 30 x 2 | | |
| - O-ring 9 x 1.5 | | |
| Pr. gauge $\phi 40$, G1/8 | | |
| 0 to 4 bar | 110.44-KD | 101671 |
| 0 to 6 bar | 110.45-KD | 101533 |
| 0 to 10 bar | 110.46-KD | 101672 |
| 0 to 16 bar | 110.47-KD | 101534 |