



Fine filter

for drinking water

Model: "Bavaria"

100.62 to 100.66
R 3/4 to R 2
90 µm
DVGW number

Art. Nos. 100.62 to 100.64 NW-9301AU2425

General

- Fine filter for drinking water
- DIN-DVGW-tested (100.65 and 100.66 no certificate)
- Filter rating: 90 µm
- Meets German KTW specifications

Characteristics

Type	100.62	100.63	100.64
Pipe thread	R 3/4	R 1	R 1 1/4
Type	100.65	100.66	
Pipe thread	R 1 1/2	R 2	
Type of construction	Filter housing with filter candle		
Mounting position	Horizontal (strainer cup at bottom)		
Medium	Drinking water acc. to German drinking water regulations		
Max. input pressure	16 bar		
Water temperature	5 to 30 °C		
Ambient temperature	5 to 40 °C		

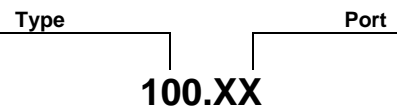
Materials

Part	Material
Body	Brass
Tube fitting	Brass
Filter bowl	Plastic (PVC)
Fine screen	POM / polyester
Seals	EPDM

Installation

- Designed for horizontal mounting, strainer cup at the bottom
- Shut-off valves must be provided on both sides
- Easy accessibility simplifies regular maintenance work
- Replace the filter candle once every six months or sooner if the pressure drops noticeably

Ordering information



Port	
XX =	Thread
62	R 3/4
63	R 1
64	R 1 1/4
65	R 1 1/2
66	R 2

Applications

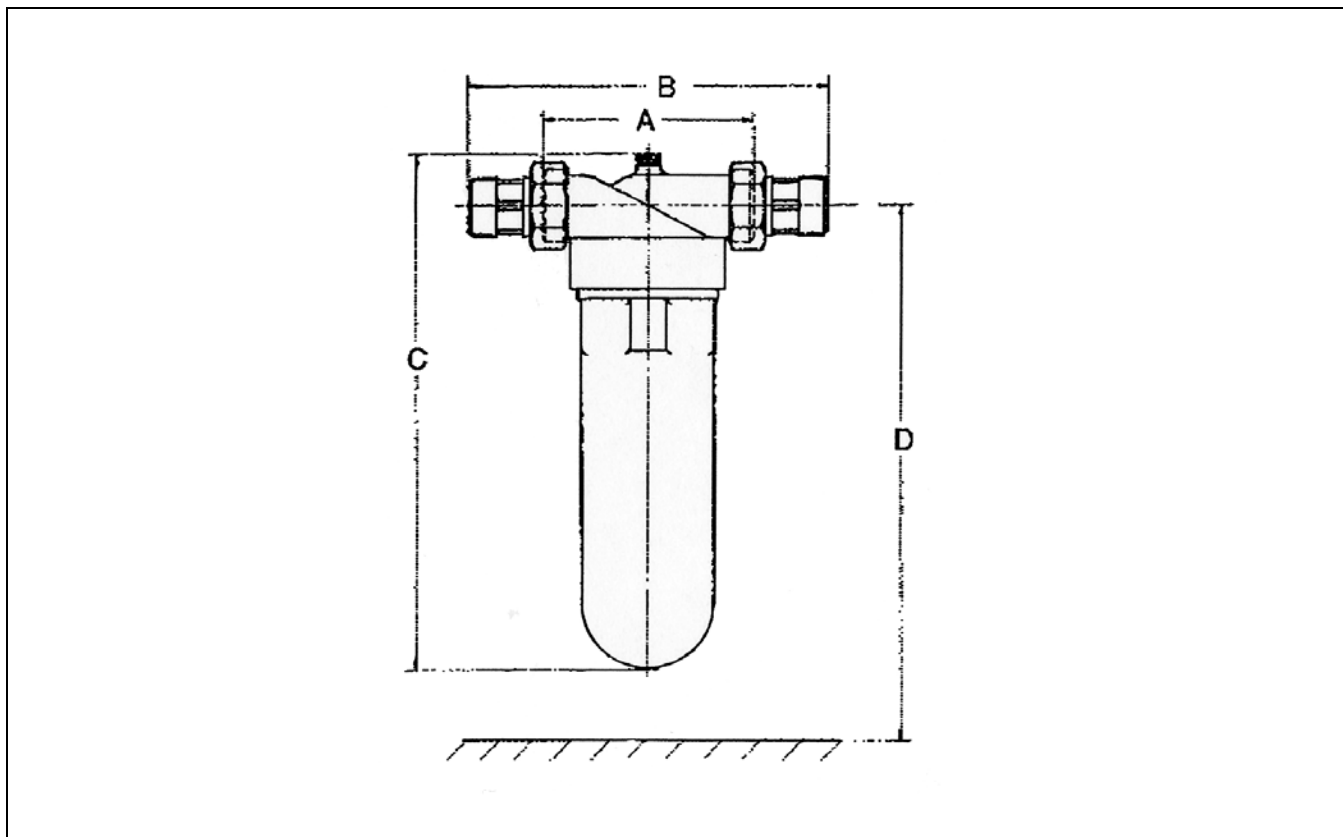
This fine filter is used to filter drinking and domestic water in addition to well, process and cooling water for once-through cooling systems.

The built-in filter cartridge removes foreign bodies (rust particles, chips, sand, hemp residues, etc.) and protects the water pipes and all water-carrying parts of the system on the downstream side.

Premature corrosion and malfunctions are effectively prevented.

Accessories

Designation	Order No.
Filter insert	
- 3/4 to 1 1/4	100/621
- 1 1/2 to 2	100/651
Plastic bowl	
- 3/4 to 1 1/4	100/622
- 1 1/2 to 2	100/652

Dimensions

Dimensions [mm]

Order No.	A	B	C	D
100.62	120	206	300	450
100.63	120	206	300	450
100.64	120	220	300	450
100.65	140	254	290	450
100.66	140	274	290	450

Flow rates

Order No.	100.62	100.63	100.64	100.65	100.66
Flow rate [m ³ /h] Δp 0.2 bar	4.0	5.5	6.0	9.0	12.0

Maintenance

	Activity	Interval	Responsible
Maint- enance	Replace the filter candle regularly once every six months or sooner if the pressure drops noticeably	Once every six months More frequently if required	Plumbing firm Owner

For more information, refer to Operating Manual 17-24 (Order No. 100.62 to 100.64) and 17-29 (Order No. 100.65 to 100.66)