



Precision pressure regulator

Size 1

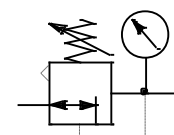
FU 74XX

FU 75XX

G 1/4

G 3/8

0.1 to 1.0 bar
0.1 to 2.0 bar
0.2 to 4.0 bar
0.5 to 8.0 bar
0.5 to 10.0 bar
0.5 to 16.0 bar



Description

Precision pressure regulator in the »FUTURA« series.

Precision pressure regulators facilitate a very fine pressure setting and guarantee a precise supply with the required working pressure.

These controllers are only allowed to be used with micro-filtered media (filter rating 0.01 µm).

Characteristics

Type	FU 74XX	FU 75XX
Port (thread)	G 1/4	G 3/8
Type of construction	- Diaphragm pressure regulator with self-relieving design	
Medium	Compressed air, neutral gases	
Mounting position	Any	
Temperature Medium / ambient	Max. 50 °C	
Input pressure Pin	Max. 16 bar	
Control range (output pressure)	0.1 to 1.0 bar 0.1 to 2.0 bar 0.2 to 4.0 bar 0.5 to 8.0 bar 0.5 to 10.0 bar 0.5 to 16.0 bar	
Weight	0.270 without pressure gauge / 0.340 with pressure gauge	
Internal air consumption	2.6 l/min	
Mounting type	Bracket, wall mounting	

Materials

Part	Material:
Spring bonnet / adjusting knob	POM
Head piece	PA66 GF60
Diaphragm	Brass-NBR-PA6
Valve cone	Brass-NBR
O-ring 32x2.5	NBR
Cover (bottom screw)	POM
Thread base plate	Die-cast zinc

Ordering information

- The pressure regulators are delivered in single packs.
- Pressure gauge incl. in scope of supply.

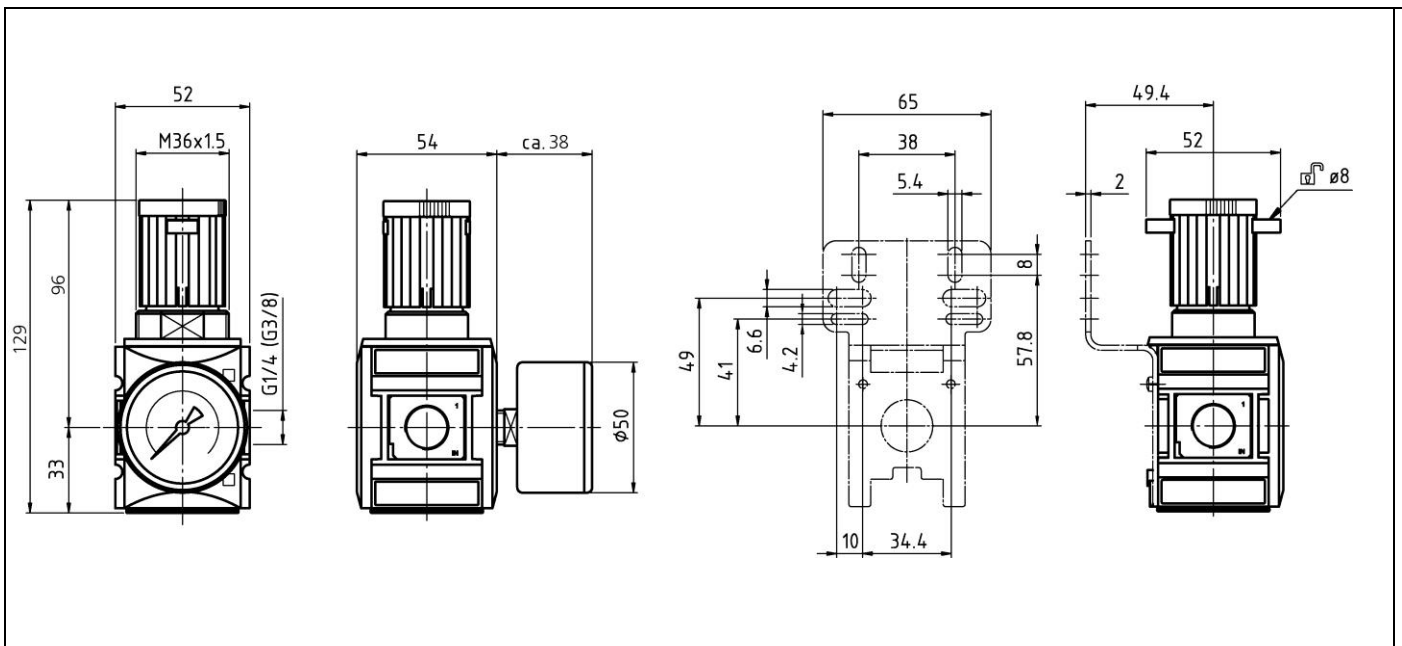
Accessories

Designation	Art. No.
Mounting bracket, incl. screws	H 850
Joiner set with wall bracket	WK 100
Joiner set	KP 100
Panel nut	FU 11-55
Key lock	SS 32
Mounting bracket with control panel nut	H 851
Wall bracket with connection thread G 1/4	WK 101-14
Wall bracket with connection thread G 3/8	WK 101-38

Spare parts

Designation	Art. No.
Set of seals	22.7410.4

Dimensions



Flow rates

Flow characteristic – G 1/4

Flow characteristic – G3/8

Hysteresis

