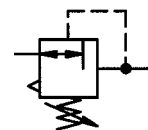
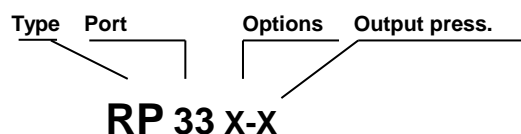



**Precision  
pressure regulator**
**Size 3**
**RP 33**

G 1/2

 0.1 to 3.0 bar  
 0.2 to 6.0 bar  
 0.5 to 10.0 bar

**Characteristics**

Type	RP 33
Port	G 1/2
Pressure gauge port	G 1/4
Type of construction	Diaphragm pressure regulator with self-relieving design <b>Special versions on request</b>
Control range p <sub>2</sub>	0.1 to 3.0 bar / 0.2 to 6.0 bar / 0.5 to 10.0 bar
Mounting position	Any / note direction of arrow
Max. input pressure p <sub>1</sub>	16 bar
Own air consumption	2.6 l/min, depending on secondary pressure
Mounting type	Panel mounting, hole Ø50.5 Bracket or two through holes
Medium temperature	-10 to 60 °C
Ambient temperature	-10 to 60 °C
Weight [g]	850 / 980 with pressure gauge

**Ordering information**

**Options**

K	Lockable adjusting knob
<b>Output pressure [bar]</b>	
3	0.1 - 3.0
6	0.2 - 6.0
10	0.5 - 10.0

**Materials**

Part	Material
Head piece (body)	Zinc - Z 410
Spring bonnet	POM-brass
Diaphragm	→ NBR-brass
Pressure spring	Galvanised steel
Valve cone, cmpl.	→ NBR-brass
Counter-pressure spring	Stainless steel
O-ring 50 x 2	→ NBR
Cover	PC
Spring bonnet, lockable	POM-AI
Lock cylinder	Brass

**Description**

- Block design
- Simple block mounting with other devices using conical clamps and half threads
- Joiner sets (**KP 33**) required for block mounting
- Pressure setting can be locked by pushing the knob down
- Flow direction indicated by arrows
- **Entry in direction of arrow**
- **Independent of inlet pressure**
- Pressure gauge Ø63 included
- Pressure gauge can be mounted at both ends
- Lockable adjusting knob

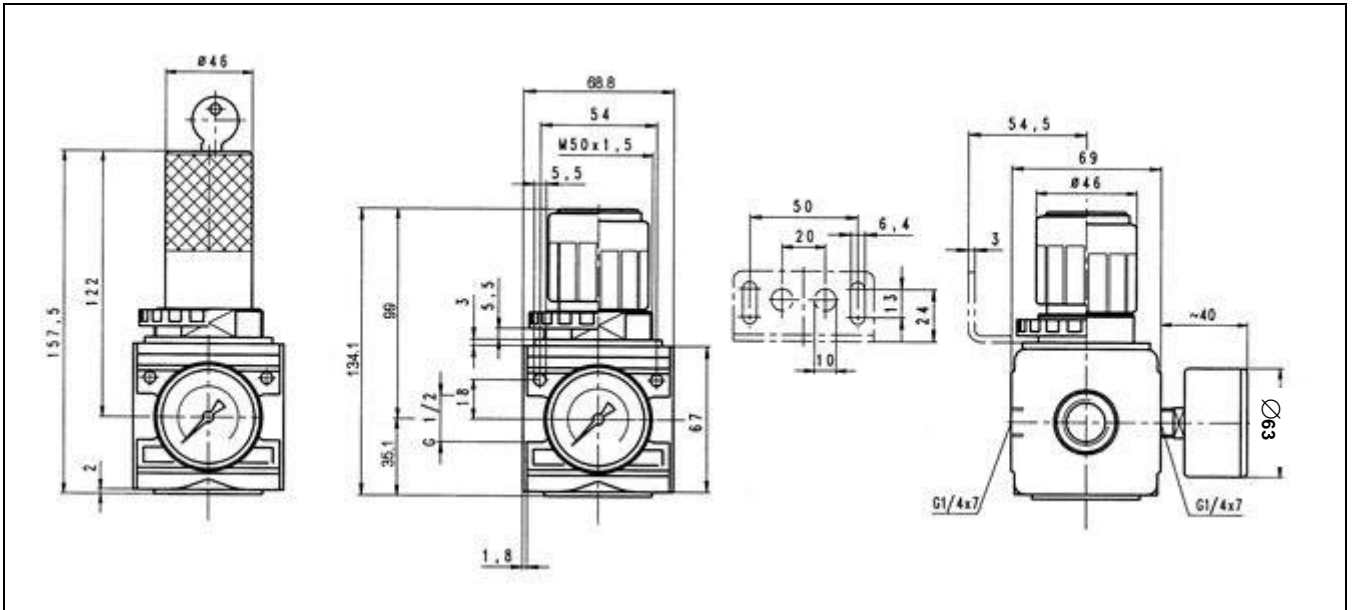
**Accessories**

Designation	Order No.
Nut M 50 x 1.5	R 33-55
Mounting bracket with nut R 33-55, cmpl.	MV 50
Mounting bracket with 2 screws, cmpl.	ZW 33
Joiner set(s) for block mounting with other devices	KP 33
Joiner set for narrow diverter block	KP 33 Z

**Main spare parts**

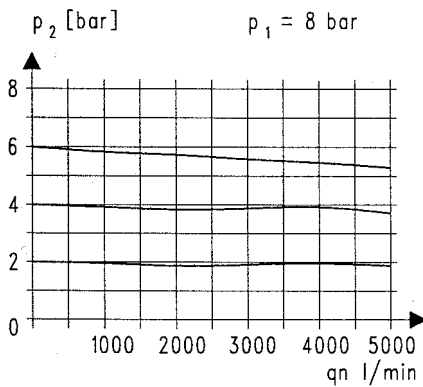
Part	Part No.
→ Set of wearing parts - Diaphragm, cmpl. - Valve cone, cmpl. - O-ring 50 x 2	22.1633.4
Pr. gauge Ø63, G1/4 0 to 4 bar	215-KD
0 to 10 bar	217-KD
0 to 16 bar	218-KD

**Dimensions [mm]**



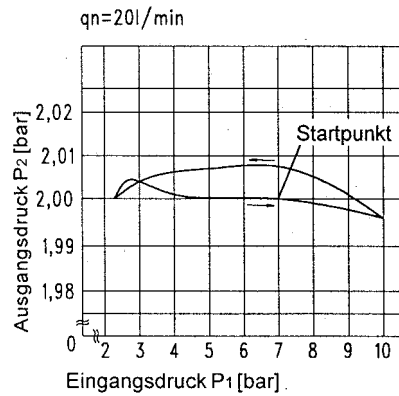
**Flow characteristic**

Control range 0.5 to 10 bar



**Hysteresis**

Hysteresis of  $p_2$  as a function of rising (falling)  $p_1$  at a constant draw-off rate  $Q_N$  20 l/min  
 Basic setting (starting point):  $p_1$ : 7.0 bar  
 $p_2$ : 2.0 bar



**Flow rates**

Flow rates at  $p_1 = 10$  bar

Art. No.		RP 33-3	RP 33-6	RP 33-10
Output pressure $p_2 = 6.3$ [bar]	QN m <sup>3</sup> /h	360	360	360
Nominal flow ( $\Delta p = 1$ bar)	l/min	7600	7600	7600

<b>Art. No.</b>	<b>Ident No.</b>
RP 33-3	100457
RP 33-6	100458
RP 33-10	100459
R 33-55	100440
MV 50	100439
ZW 33	100441
KP 33	100442
KP 33 Z	100443
22.1633.4	100461
215-KD	101223
217-KD	101244
218-KD	101398