

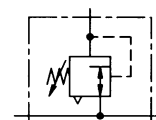


Pressure regulating valve

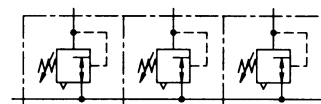
Size 0

RB 06

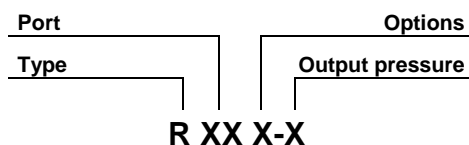
G 1/4

 0.1 to 3 bar
0.2 to 6 bar
0.5 to 10 bar


Typical application



Ordering information



Port	
06	G 1/4
Options	
K	Lockable adjusting knob

Order example: RB 06 K-10

Description

- Simple block mounting without tools using conical clamps (**Pin max. 12 bar**)
- Joiner sets (**KP 05**) required for block mounting
- Pressure setting can be locked by pushing the knob down
- Flow direction indicated by arrows
- **Entry in direction of arrow**
- **Independent of inlet pressure**
- Pressure gauge $\varnothing 40$ included
- Lockable adjusting knob (**on request**)

Main spare parts

Part	Part No.
→ Set of wearing parts	22.1805.4
- Diaphragm, cmpl.	
- Valve cone, cmpl.	
- O-ring 16 x 2	

Characteristics

Type	RB 06
Port	G 1/4
Pressure gauge port	G 1/8
Type of construction	Diaphragm pressure regulator with self-relieving design Lockable adjusting knob on request
Max. input pressure p_1	16 bar
Control range p_2	0.1 to 3 bar / 0.2 to 6 bar / 0.5 to 10 bar
Mounting position	Any
Mounting type	Panel mounting, hole $\varnothing 30.5$ Mounting bracket
Medium temperature	-10 to 60 °C
Ambient temperature	-10 to 60 °C
Weight [g]	260 / 310 with pressure gauge

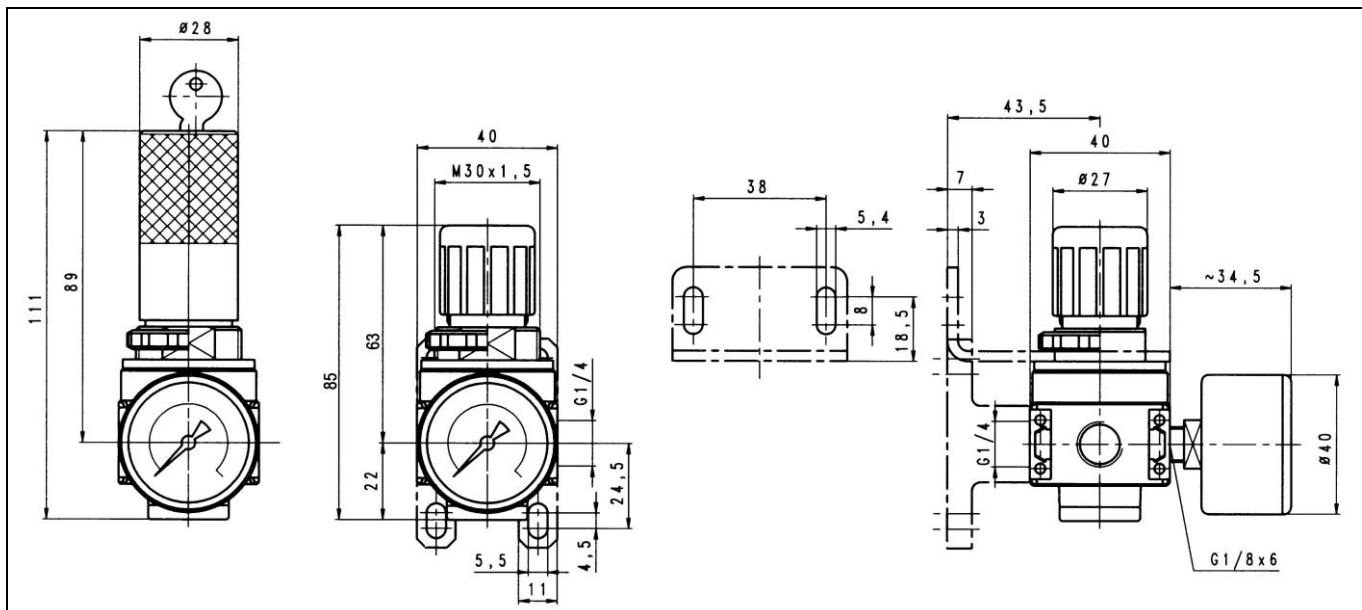
Materials

Part	Material
Head piece (body)	Z 410
Spring bonnet	POM-brass
Diaphragm	→ NBR-brass
Pressure spring	Galvanised steel
Valve cone	→ NBR-brass
Counter-pressure spring	Stainless steel
O-ring 16 x 2	→ NBR
Bottom screw	POM
Spring bonnet, lockable	POM-Al
Lock cylinder	Brass

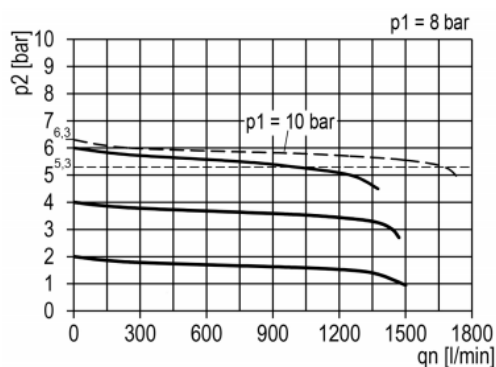
Accessories

Designation	Order No.
Nut M 30 x 1.5	R 11-55
Mounting bracket with nut R 11-55	MV 30
Joiner set(s) for block mounting with other devices	KP 05

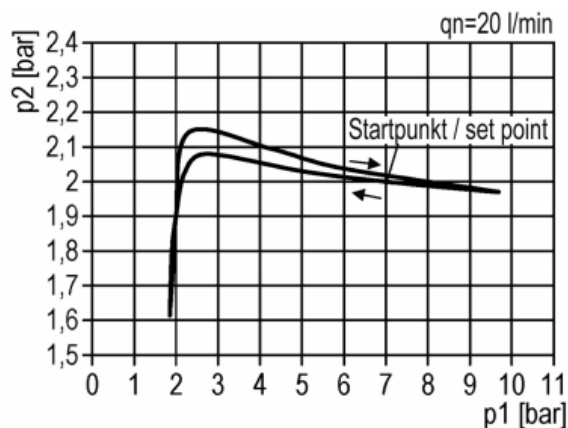
Dimensions [mm]



Flow characteristic



Hysteresis



Flow rates

Flow rates at $p_1 = 10 \text{ bar}$

Art. No.		RB 06-3	RB 06-6	RB 06-10
Output pressure $p_2 = 6.3 \text{ [bar]}$	QN	1700	1700	1700
Nominal flow ($\Delta p = 1 \text{ bar}$)	l/min			

Typical application

