



### Function

The untreated water flows through the untreated water inlet in the filter and there from the outside to inside through the filter element for pure water outlet. During this foreign particles larger than 90 µ are held back on the outside of the filter fabric. Clean water gets into the piping network.

### Purpose of Use

The filters are designed for filtration of drinking and service water. They protect the water lines and the water-carrying system parts connected to them from malfunctions and corrosion caused by foreign particles, such as rust particles, chips, sand, hemp, etc.

The filters can also be used for the filtration of process water and cooling water for continuous-flow cooling, however not with chemically treated circulation water.

Use an upstream coarse debris separator for water with large particles of dirt.

The filters are **not** suitable for oils, greases, solvents, soaps and other lubricating media. Also **not** for separating water soluble substances.

**Caution: The equipment of the system must be done according to the installation and operating manual based on the AVB Wasser V, § 12.2 (general requirements for supply water in Germany) by the water supply company or by an installation company registered in an installer directory of a water supply company.**

### Installation Preconditions

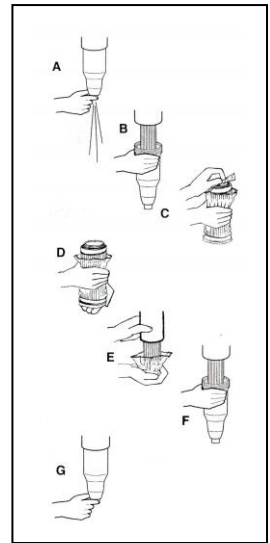
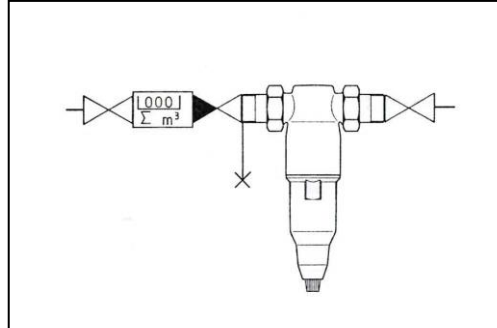
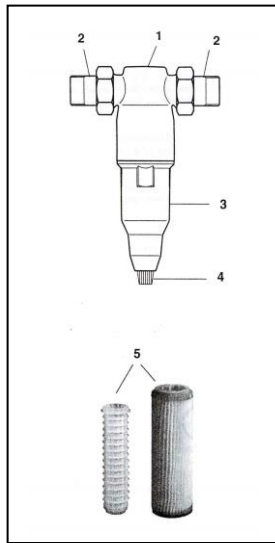
Observe all local installation regulations, general guidelines and technical data.

Install filters according to the nominal widths in equally sized cold water lines and in front of the objects to be protected. During this generally provide shut-off valves.

Carry out the installation horizontally in the water line (pay attention to flow direction arrow). Vertical installation has no effect on the function.

**Caution:** The installation location must be frost-resistant and avoid interfering influences (e.g. solvent vapours, heating oil, washing lyes, chemicals of any type, UV radiation and heat sources above 40°C).

After hard impacts and blows (e.g. with unsuitable tool, fall on stone floor, etc.) the plastic part must be replaced, even without detected damage (risk of bursting).



## Commissioning

Check filter for proper installation.

The shut-off valves must not yet be opened. Check the clear cylinder (3) for correct seat and close the drain screw (4). Do not use any tool for this. Hand tightening is sufficient.

Slowly open the shut-off valves upstream and downstream from the filter and vent the piping at the next extraction point after the filter.

## Operation

Inspect filters in regular intervals, every 2 months (as per DIN 1988).

**Water is a foodstuff. Maintain hygienic care when changing the filters!**

### Replacing the filter element

When the water pressure noticeably decreases due to increasing contamination of the filter fabric, however at least every 6 months (as per DIN 1988), the filter element must be replaced.

- A** Close the shut-off valves upstream and downstream from the filter and set a collecting vessel under the filter. Unscrew the drain screw (4) to release the pressure and drain the water.
- B** Unscrew the clear cylinder (3) manually (**no tool!**), remove the filter element (5) and dispose of it. Clean the clear cylinder. **Plastic parts must only be cleaned with a damp, soft cloth. Do not use solvents or detergents, and no acid cleaner!**
- C** Only touch new filter elements in the bag. Open the bag on the insertion end of the filter element.
- D** Insert the filter element (5) in the head part (1).
- E** Remove the bag. Do not touch the filter element again with the hands.
- F** Manually screw the clear cylinder (3) back in the head part (1). Tighten the drain screw (4).
- G** Slowly open the shut-off valves, first upstream from the filter and then downstream. Check the filter for leaks (visual inspection) and vent the piping at the next extraction point downstream from the filter

### Service

Every technical system requires regular service. According to DIN 1988 this must generally be done by technical personnel, who also take care of replacement of the wear parts.

Service must be done annually, for community facilities semi-annually. Execution: Installer or manufacturer.

### Applies to the following item:

#### Fine filter

##### Product no.

101417 to 101418

##### Type no.

100.65 to 100.66