

## Socket

Art. No. 148239

Type No. W0970513003



Exemplary illustration

### Technical data

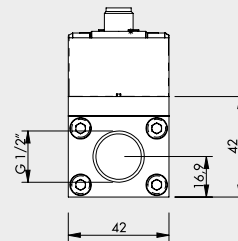
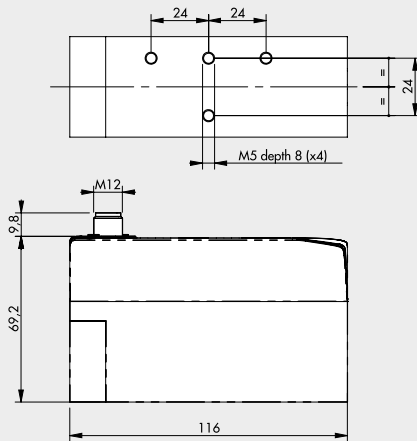
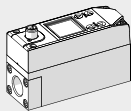
Description	90° angle socket M12 x 1 mm
-------------	-----------------------------

### Commercial data

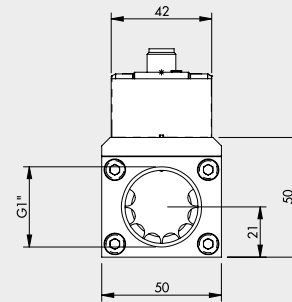
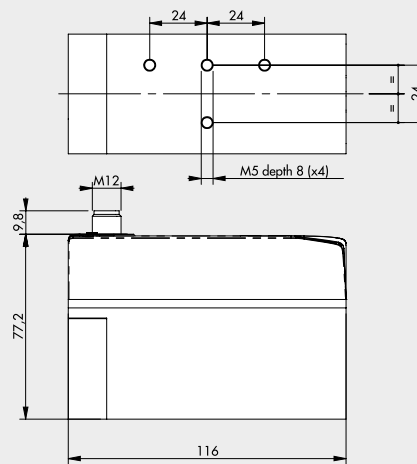
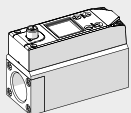
Customs tariff number	85366990
Country of origin	CN
eCl@ss 5.1.4	27299219
eCl@ss 9.0	27299219
UNSPSC_Code_v190501	40141616
UNSPSC_CodeDesc_v190501	Valve parts or accessories

**DIMENSIONS AND ORDERING CODES FLUX 1 - 2**

**FLUX 1**

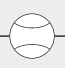
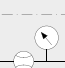
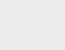


**FLUX 2**



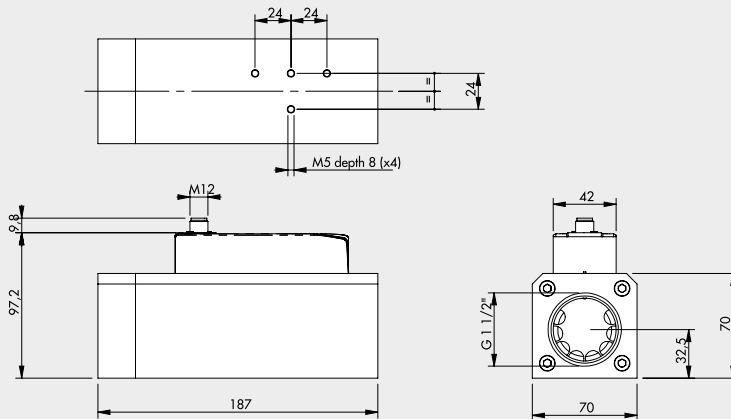
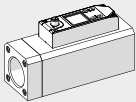
UNITS

FLOWMETER SERIES FLUX

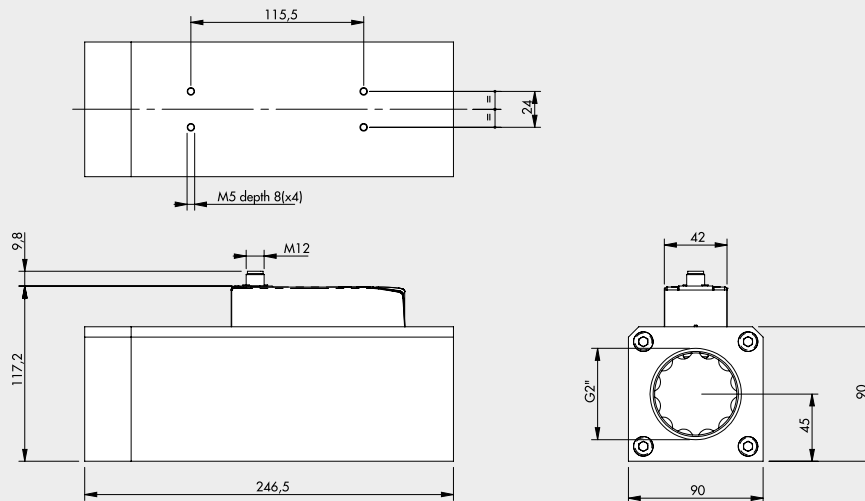
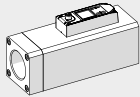
Symbol	Code	Description
	9000991000	Flowmeter FLUX 1, coupling 1/2", analog output 0-10V 4-20 mA
	9000991200	Flowmeter FLUX 1, coupling 1/2", IO-Link
	9000992000	Flowmeter FLUX 2, coupling 1", analog output 0-10V 4-20 mA
	9000992200	Flowmeter FLUX 2, coupling 1", IO-Link
	9000991510	Flowmeter FLUX 1, coupling 1/2", digital output PNP 0-10V 4-20 mA, with display and pressure sensor
	9000991511	Flowmeter FLUX 1, coupling 1/2", digital output PNP 0-10V 4-20 mA, with display, pressure sensor and Wi-Fi®
	9000991610	Flowmeter FLUX 1, coupling 1/2", IO-Link with display and pressure sensor
	9000991611	Flowmeter FLUX 1, coupling 1/2", IO-Link with display, pressure sensor and Wi-Fi®
	9000992510	Flowmeter FLUX 2, coupling 1", digital output PNP 0-10V 4-20 mA, with display and pressure sensor
	9000992511	Flowmeter FLUX 2, coupling 1", digital output PNP 0-10V 4-20 mA, with display, pressure sensor and Wi-Fi®
	9000992610	Flowmeter FLUX 2, coupling 1", IO-Link with display and pressure sensor
	9000992611	Flowmeter FLUX 2, coupling 1", IO-Link with display, pressure sensor and Wi-Fi®

**DIMENSIONS AND ORDERING CODES FLUX 3 - 4**

**FLUX 3**

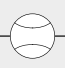
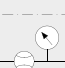
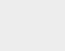


**FLUX 4**



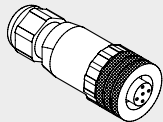
FLOWMETER SERIES FLUX

UNITS

Symbol	Code	Description
	9000993000	Flowmeter FLUX 3, coupling 1 1/2", analog output 0-10V 4-20 mA
	9000993200	Flowmeter FLUX 3, coupling 1 1/2", IO-Link
	9000994000	Flowmeter FLUX 4, coupling 2", analog output 0-10V 4-20 mA
	9000994200	Flowmeter FLUX 4, coupling 2", IO-Link
	9000993510	Flowmeter FLUX 3, coupling 1 1/2", digital output PNP 0-10V 4-20 mA, with display and pressure sensor
	9000993511	Flowmeter FLUX 3, coupling 1 1/2", digital output PNP 0-10V 4-20 mA, with display, pressure sensor and Wi-Fi®
	9000993610	Flowmeter FLUX 3, coupling 1 1/2", IO-Link with display and pressure sensor
	9000993611	Flowmeter FLUX 3, coupling 1 1/2", IO-Link with display, pressure sensor and Wi-Fi®
	9000994510	Flowmeter FLUX 4, coupling 2", digital output PNP 0-10V 4-20 mA, with display and pressure sensor
	9000994511	Flowmeter FLUX 4, coupling 2", digital output PNP 0-10V 4-20 mA, with display, pressure sensor and Wi-Fi®
	9000994610	Flowmeter FLUX 4, coupling 2", IO-Link with display and pressure sensor
	9000994611	Flowmeter FLUX 4, coupling 2", IO-Link with display, pressure sensor and Wi-Fi®

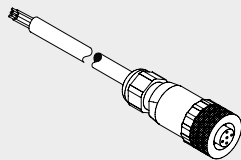
**ACCESSORIES**

**STRAIGHT CONNECTOR**



Code	Description
W0970513001	5-PIN M12x1 straight connector

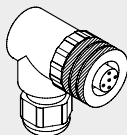
**STRAIGHT CONNECTOR WITH WIRE**



Pin	Cable color
1	Brown
2	White
3	Blue
4	Black
5	Grey

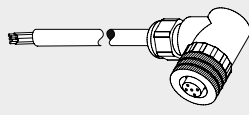
Code	Description
W0970513002	5-PIN M12x1 straight connector with wire L = 5 m

**90° CONNECTOR**



Code	Description
W0970513003	M12x1 5-PIN 90° connector

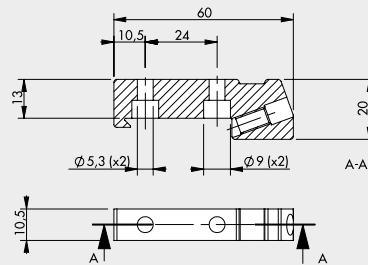
**90° CONNECTOR WITH WIRE**



Pin	Cable color
1	Brown
2	White
3	Blue
4	Black
5	Grey

Code	Description
W0970513004	M12x1 5-PIN 90° connector with wire L = 5 m

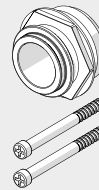
**CONNECTION BRACKETS ON THE BAR (DIN EN50022)**



Code	Description
900099A001	Connection brackets on DIN bar, FLUX 1 - 4

Note: complete with 2 M5x14 screws and 1 M6 grub screw

**SY1 - SY2 KIT FOR CONNECTION**



Code	Description
900099A002	Adapter FLUX 1 - SY1
900099A003	Adapter FLUX 2 - SY2

Max torque for screw, 0.4 Nm for SY1  
Max torque for screw, 2.5 Nm for SY2

**NOTES**

UNITS

FLOWMETER SERIES FLUX