

Adapter

Art. No. 148238

Type No. 900099A003



Exemplary illustration

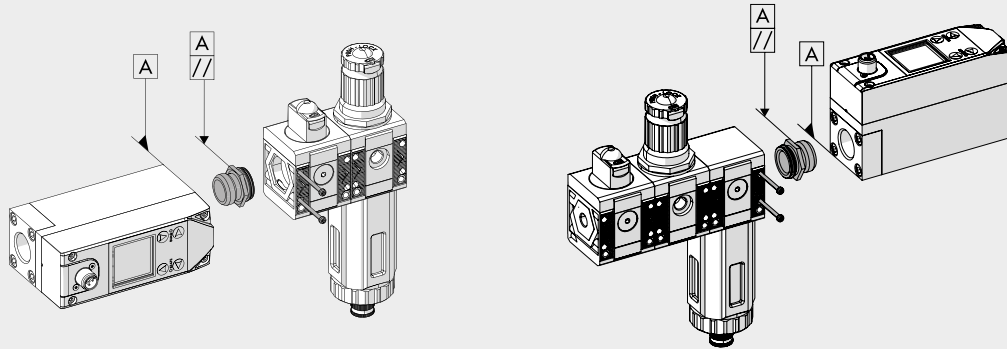
Technical data

Description	Adapter for series »FLUX« size 2 - »SYNTESI« size 2
Version	with 2 screws

Commercial data

Customs tariff number	74122000
Country of origin	IT
eCl@ss 5.1.4	27299290
eCl@ss 9.0	27299290
UNSPSC_Code_v190501	40141616
UNSPSC_CodeDesc_v190501	Valve parts or accessories

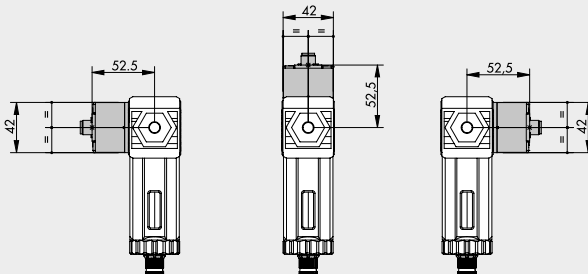
ASSEMBLY DIAGRAM OF FLUX 1 - 2 WITH SYNTESI_®



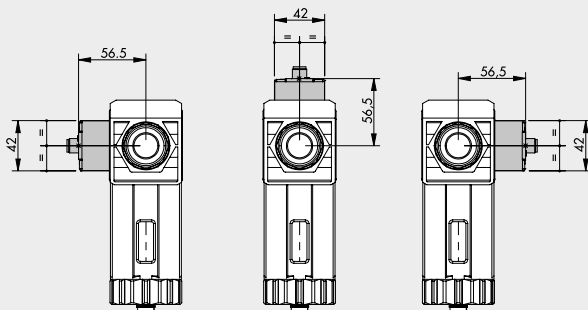
- 1) Tighten the connection bushing on the flowmeter until it is flush (it is advisable to use sealant on the male thread of the bushing to ensure a perfect seal).
- 2) Unscrew the bushing slightly until two surfaces of the hexagon are parallel to the body of FLUX.
- 3) Insert the bushing into the Syntesi_® unit.
- 4) Tighten the two self-tapping screws in the Syntesi_® unit to a torque of 0.4 Nm for size 1 and torque 2.5 Nm for size 2.

UNITS

FLUX 1 + SYNTESI_® 1



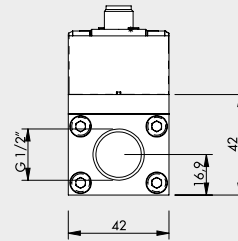
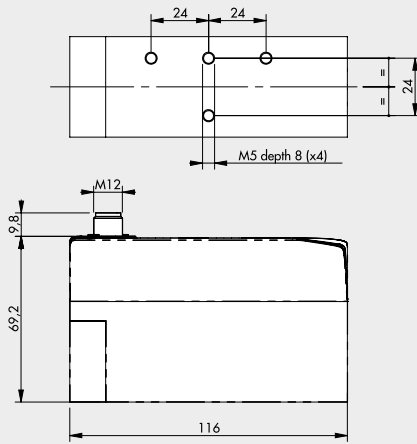
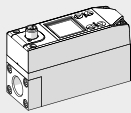
FLUX 2 + SYNTESI_® 2



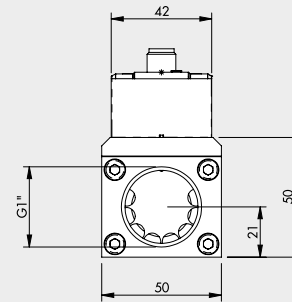
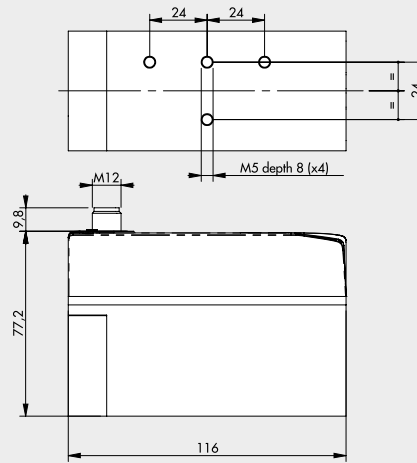
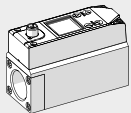
N.B.: If the FLUX is used downstream a Syntesi_® filter, fit it in one of the three positions shown in the figure.

DIMENSIONS AND ORDERING CODES FLUX 1 - 2

FLUX 1

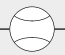

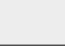


FLUX 2



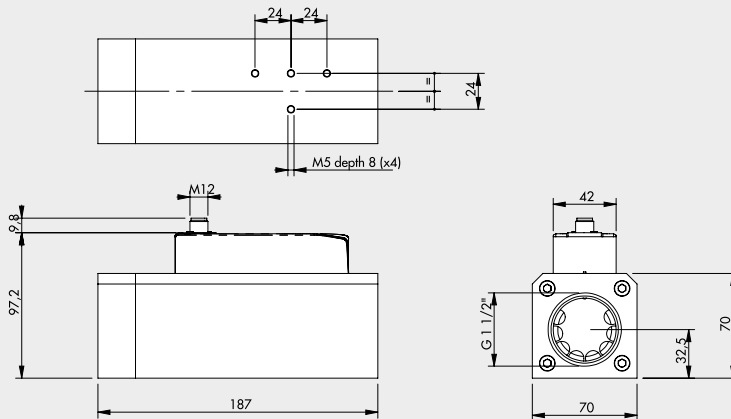
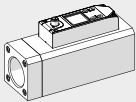
UNITS

FLOWMETER SERIES FLUX

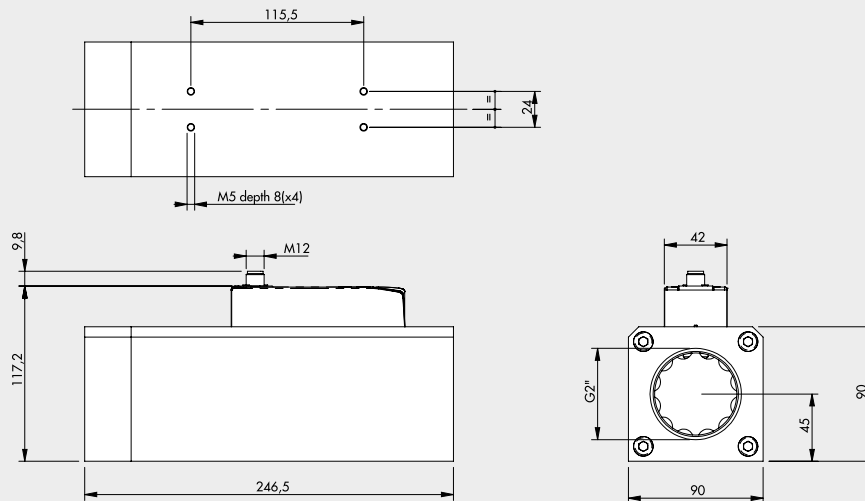
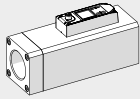
Symbol	Code	Description
	9000991000	Flowmeter FLUX 1, coupling 1/2", analog output 0-10V 4-20 mA
	9000991200	Flowmeter FLUX 1, coupling 1/2", IO-Link
	9000992000	Flowmeter FLUX 2, coupling 1", analog output 0-10V 4-20 mA
	9000992200	Flowmeter FLUX 2, coupling 1", IO-Link
	9000991510	Flowmeter FLUX 1, coupling 1/2", digital output PNP 0-10V 4-20 mA, with display and pressure sensor
	9000991511	Flowmeter FLUX 1, coupling 1/2", digital output PNP 0-10V 4-20 mA, with display, pressure sensor and Wi-Fi®
	9000991610	Flowmeter FLUX 1, coupling 1/2", IO-Link with display and pressure sensor
	9000991611	Flowmeter FLUX 1, coupling 1/2", IO-Link with display, pressure sensor and Wi-Fi®
	9000992510	Flowmeter FLUX 2, coupling 1", digital output PNP 0-10V 4-20 mA, with display and pressure sensor
	9000992511	Flowmeter FLUX 2, coupling 1", digital output PNP 0-10V 4-20 mA, with display, pressure sensor and Wi-Fi®
	9000992610	Flowmeter FLUX 2, coupling 1", IO-Link with display and pressure sensor
	9000992611	Flowmeter FLUX 2, coupling 1", IO-Link with display, pressure sensor and Wi-Fi®

DIMENSIONS AND ORDERING CODES FLUX 3 - 4

FLUX 3






FLUX 4



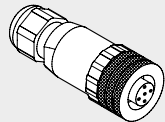
UNITS

FLOWMETER SERIES FLUX

Symbol	Code	Description
	9000993000	Flowmeter FLUX 3, coupling 1 1/2", analog output 0-10V 4-20 mA
	9000993200	Flowmeter FLUX 3, coupling 1 1/2", IO-Link
	9000994000	Flowmeter FLUX 4, coupling 2", analog output 0-10V 4-20 mA
	9000994200	Flowmeter FLUX 4, coupling 2", IO-Link
	9000993510	Flowmeter FLUX 3, coupling 1 1/2", digital output PNP 0-10V 4-20 mA, with display and pressure sensor
	9000993511	Flowmeter FLUX 3, coupling 1 1/2", digital output PNP 0-10V 4-20 mA, with display, pressure sensor and Wi-Fi®
	9000993610	Flowmeter FLUX 3, coupling 1 1/2", IO-Link with display and pressure sensor
	9000993611	Flowmeter FLUX 3, coupling 1 1/2", IO-Link with display, pressure sensor and Wi-Fi®
	9000994510	Flowmeter FLUX 4, coupling 2", digital output PNP 0-10V 4-20 mA, with display and pressure sensor
	9000994511	Flowmeter FLUX 4, coupling 2", digital output PNP 0-10V 4-20 mA, with display, pressure sensor and Wi-Fi®
	9000994610	Flowmeter FLUX 4, coupling 2", IO-Link with display and pressure sensor
	9000994611	Flowmeter FLUX 4, coupling 2", IO-Link with display, pressure sensor and Wi-Fi®

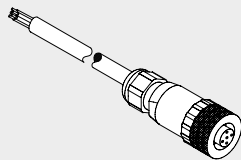
ACCESSORIES

STRAIGHT CONNECTOR



Code W0970513001
Description 5-PIN M12x1 straight connector

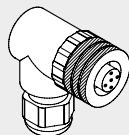
STRAIGHT CONNECTOR WITH WIRE



Pin	Cable color
1	Brown
2	White
3	Blue
4	Black
5	Grey

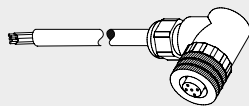
Code W0970513002
Description 5-PIN M12x1 straight connector with wire L = 5 m

90° CONNECTOR



Code W0970513003
Description M12x1 5-PIN 90° connector

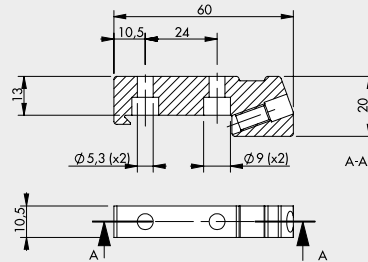
90° CONNECTOR WITH WIRE



Pin	Cable color
1	Brown
2	White
3	Blue
4	Black
5	Grey

Code W0970513004
Description M12x1 5-PIN 90° connector with wire L = 5 m

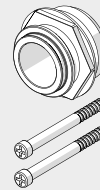
CONNECTION BRACKETS ON THE BAR (DIN EN50022)



Code 900099A001
Description Connection brackets on DIN bar, FLUX 1 - 4

Note: complete with 2 M5x14 screws and 1 M6 grub screw

SY1 - SY2 KIT FOR CONNECTION



Code 900099A002
Description Adapter FLUX 1 - SY1

Code 900099A003
Description Adapter FLUX 2 - SY2

Max torque for screw, 0.4 Nm for SY1
 Max torque for screw, 2.5 Nm for SY2

NOTES

UNITS

FLOWMETER SERIES FLUX