

Adapter

Art. No. 148187

Type No. 90009A002



Exemplary illustration

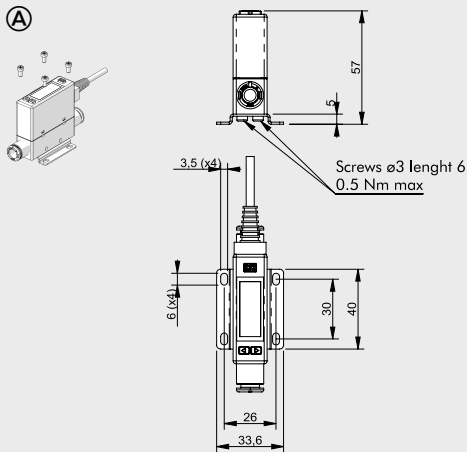
Technical data

Description	Adapter for DIN rail for series »FLUX 0«
Version	with 2 M3 x 6 mm screws for plastic

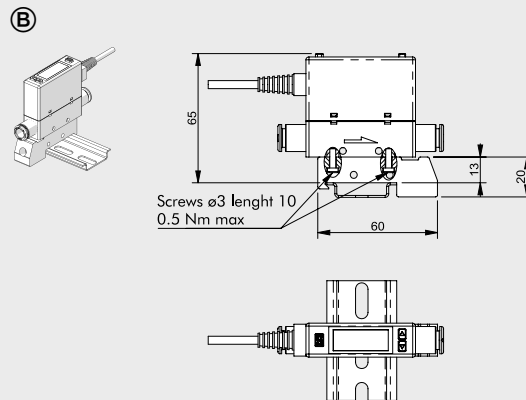
Commercial data

Customs tariff number	90261021
Country of origin	IT
eCl@ss 5.1.4	27299290
eCl@ss 9.0	27299290
UNSPSC_Code_v190501	40141616
UNSPSC_CodeDesc_v190501	Valve parts or accessories

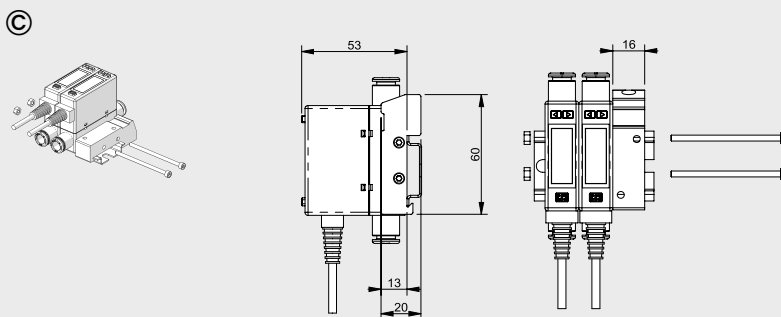
FIXING OPTIONS



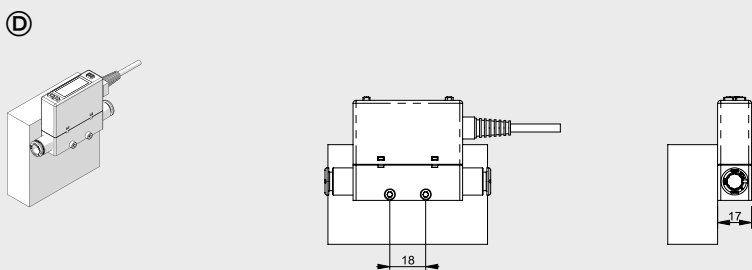
Fixing with bracket code 90009A001 using the included $\varnothing 3$ self-tapping screws and M3 screws



Single fixing on DIN bar with code bracket 90009A002 using the included $\varnothing 3$ self-tapping screws

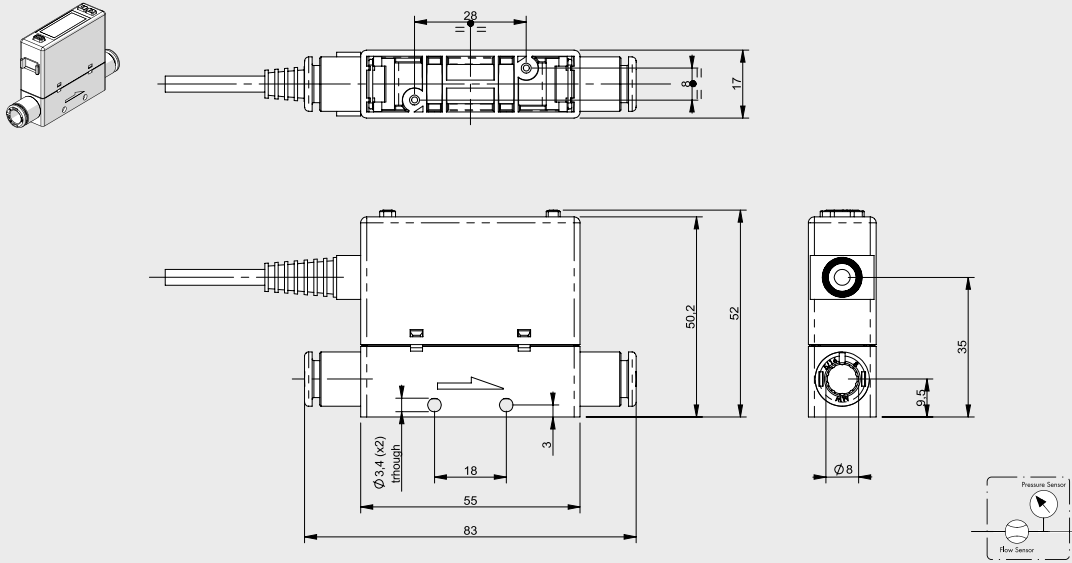


Multiple fixing on DIN bar with code bracket 90009A002 using the lateral holes $\varnothing 3.4$ with M3 screws and nuts



Side fixing using M3 screws, minimum length 23 mm

DIMENSIONS AND ORDERING CODES



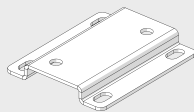
Code	Description
9000958A2	Flowmeter FLUX 0 50L Ø8 PNP 4-20 mA 2 m
9000958V2	Flowmeter FLUX 0 50L Ø8 PNP 1-5V 2 m
9000978A2	Flowmeter FLUX 0 200L Ø8 PNP 4-20 mA 2 m
9000978V2	Flowmeter FLUX 0 200L Ø8 PNP 1-5V 2 m

ACCESSORIES

FIXING BRACKET

Code	Description
90009A001	Fixing bracket FLUX 0

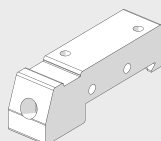
Note: Comes complete with two 3x6 screws for plastic (max. torque 0.5 Nm)



CONNECTION BRACKETS ON BAR OMEGA (DIN EN 50022)

Code	Description
90009A002	Connection brackets on DIN bar FLUX 0

Note: Comes complete with two 3x10 screws for plastic (max. torque 0.5 Nm)



FLOWMETER SERIES FLUX 0 WARTUNGSEINHEITEN