

Mounting bracket

Art. No. 148186

Type No. 90009A001



Exemplary illustration

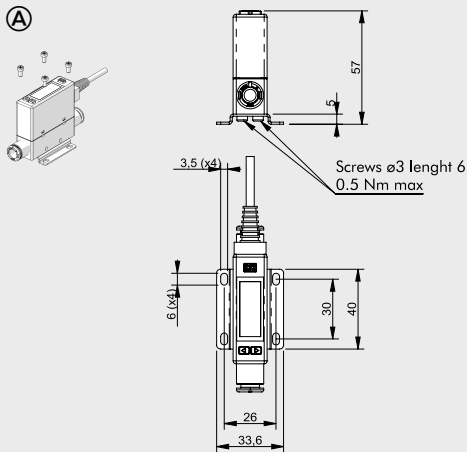
Technical data

Description	Fixing bracket for series »FLUX 0«
Version	with 2 M3 x 6 mm screws for plastic

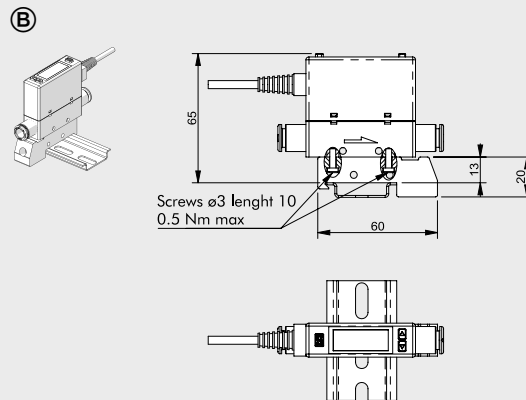
Commercial data

Customs tariff number	90261021
Country of origin	IT
eCl@ss 5.1.4	27299219
eCl@ss 9.0	27299219
UNSPSC_Code_v190501	40141616
UNSPSC_CodeDesc_v190501	Valve parts or accessories

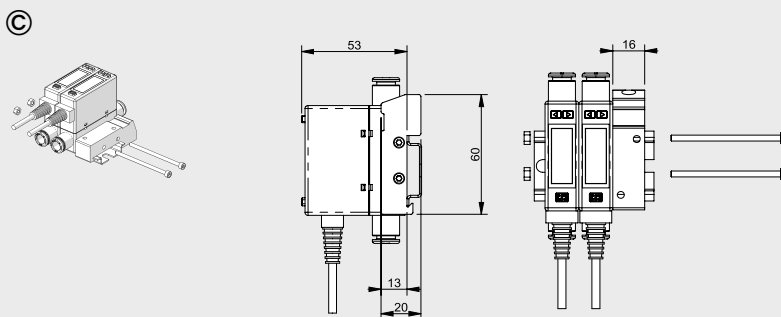
FIXING OPTIONS



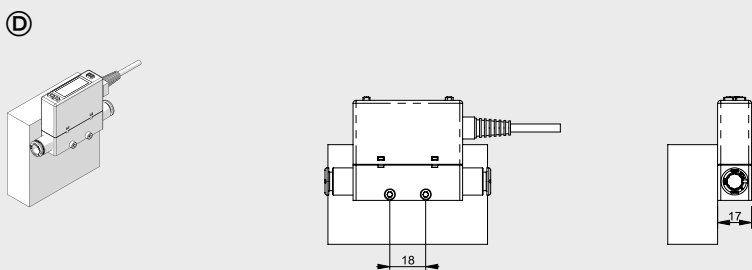
Fixing with bracket code 90009A001 using the included Ø3 self-tapping screws and M3 screws



Single fixing on DIN bar with code bracket 90009A002 using the included Ø3 self-tapping screws

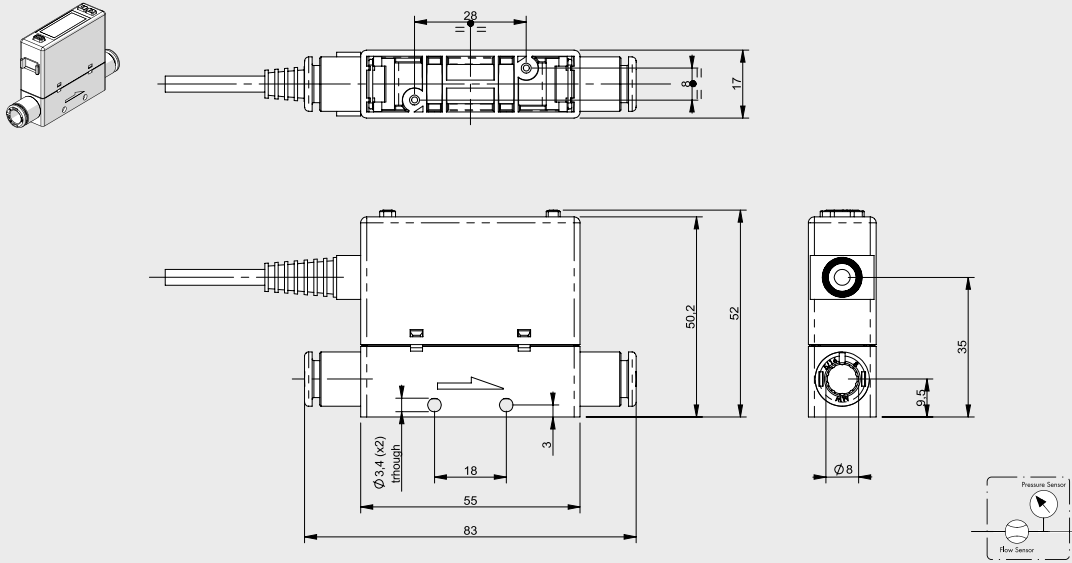


Multiple fixing on DIN bar with code bracket 90009A002 using the lateral holes Ø3.4 with M3 screws and nuts



Side fixing using M3 screws, minimum length 23 mm

DIMENSIONS AND ORDERING CODES



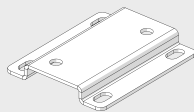
Code	Description
9000958A2	Flowmeter FLUX 0 50L Ø8 PNP 4-20 mA 2 m
9000958V2	Flowmeter FLUX 0 50L Ø8 PNP 1-5V 2 m
9000978A2	Flowmeter FLUX 0 200L Ø8 PNP 4-20 mA 2 m
9000978V2	Flowmeter FLUX 0 200L Ø8 PNP 1-5V 2 m

ACCESSORIES

FIXING BRACKET

Code	Description
90009A001	Fixing bracket FLUX 0

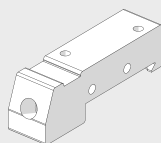
Note: Comes complete with two 3x6 screws for plastic (max. torque 0.5 Nm)



CONNECTION BRACKETS ON BAR OMEGA (DIN EN 50022)

Code	Description
90009A002	Connection brackets on DIN bar FLUX 0

Note: Comes complete with two 3x10 screws for plastic (max. torque 0.5 Nm)



FLOWMETER SERIES FLUX 0 WARTUNGSEINHEITEN