

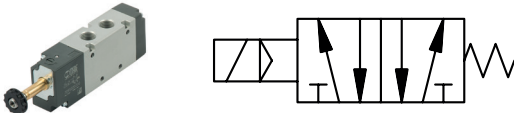
5/2-way valve »BASIC«

electropneumatic

EASY

Art. No. 146713

Type No. 7091021100



Exemplary illustration

The valves in the »BASIC« series are a numerically-reduced selection of some types of the most commonly used solenoid valves with a particularly good price/performance ratio. Some production processes have been simplified, without affecting product quality and performance. The body is made of anodized aluminium (without painting) and controls are in dark grey technopolymer.

»BASIC« valves can be assembled with accessories of other families of valves, in particular with 22 mm coils, a 8 mm hole and related connectors, modular bases and the multi-position connectors of the series 70 valves.

Technical data

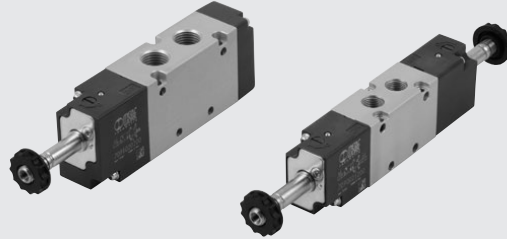
| | |
|-------------------------|--|
| Operating pressure | 2.5 - 10 bar |
| Medium temperature | -10 to 60 °C |
| Ambient temperature | -10 to 60 °C |
| Medium | Filtered compressed air with or without lubrication. If lubricated, then continuous. |
| Sealant | NBR |
| Flow rate measurement 1 | Flow rate at 6 bar and Δp 0.5 bar |
| Flow rate 1 | 750 NI/min |
| Flow rate measurement 2 | Flow rate at 6 bar and Δp 1.0 bar |
| Flow rate 2 | 1100 NI/min |
| Connection | G 1/4 |
| DN | 7.5 |
| Function | 5/2 |
| Operation | monostable |
| Manual control | latching |
| Symbol | 35 |
| Series | Basic |
| TechnischerHinweis1 | Plug and coil are not included in delivery! |

Commercial data

| | |
|-------------------------|------------------|
| Customs tariff number | 84818079 |
| Country of origin | IT |
| eCl@ss 5.1.4 | 27291501 |
| eCl@ss 9.0 | 27291390 |
| UNSPSC_Code_v190501 | 40141603 |
| UNSPSC_CodeDesc_v190501 | Pneumatic valves |

VALVES SERIES BASIC

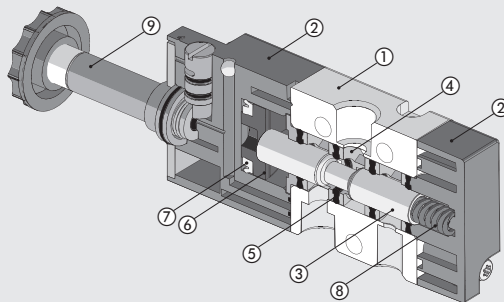
The valves in the BASIC series are a numerically-reduced selection of some types of the most commonly used solenoid valves. They come in sizes 1/8" and 1/4" and in the 3/2 monostable, 5/2 monostable and 5/2 bistable versions. Some production processes have been simplified, without affecting product quality and performance. The body is made of anodized aluminium (without painting) and controls are in dark grey technopolymer. BASIC valves can be assembled with accessories of other families of valves, in particular with 22 mm coils, a 8 mm hole and related connectors, modular bases and the multi-position connectors of the series 70 valves.



| TECHNICAL DATA | 1/8" | 1/4" |
|-------------------------------|--------------|---|
| Operating pressure: | | |
| • monostable | bar | 2.5 to 10 |
| • bistable | bar | 1 to 10 |
| Operating temperature range | °C | -10 to +60 |
| Nominal diameter | mm | 5 |
| Conductance C | Nl/min · bar | 121.43 |
| Critical ratio b | bar/bar | 0.32 |
| Flow rate at 6 bar ΔP 0.5 bar | Nl/min | 400 |
| Flow rate at 6 bar ΔP 1 bar | Nl/min | 550 |
| TRA / TRR monostable at 6 bar | ms | 15/35 |
| TRA / TRR bistable at 6 bar | ms | 20/20 |
| Coil voltage values | | 12; 24 VDC - 24; 110; 220V AC 50/60Hz |
| Power | | 2 W (DC) 3.5VA (AC) |
| Voltage tolerance | % | -10 to +15 |
| Insulation class | | F 155 |
| Maximum coil nut torque | Nm | 1 |
| Hand operator | | Bistable |
| Installation | | In any position (vertical assembly is not recommended for bistable valves subjected to vibration) |
| Fluid | | Filtered air without lubrication; lubrication, if used, must be continuous |
| Recommended lubricant | | ISO and UNI FD 22 |
| Maximum coil nut torque | Nm | 1 |
| Compatibility with oils | | See chapter Z1 |

COMPONENTS

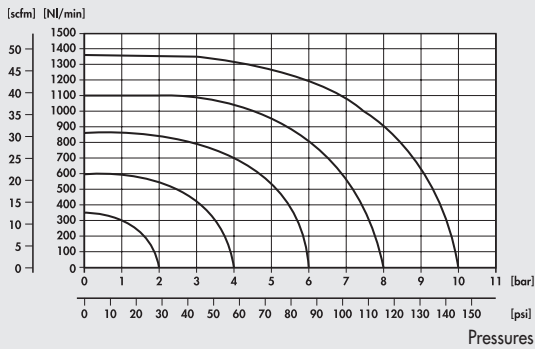
- ① VALVE BODY: anodized aluminium
- ② CONTROL/END CAP: plastic
- ③ SPOOL: chemically nickel-plated aluminium
- ④ DISTANCE PLATES: plastic
- ⑤ GASKETS: NBR
- ⑥ PISTONS: Hostaform®
- ⑦ PISTON GASKET: NBR
- ⑧ SPRINGS: special steel
- ⑨ OPERATOR: Brass pipe - Stainless steel core



FLOW CHARTS

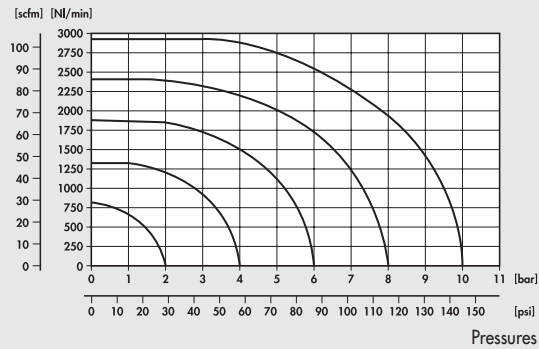
VALVES SERIES BASIC 1/8"

Flow rates



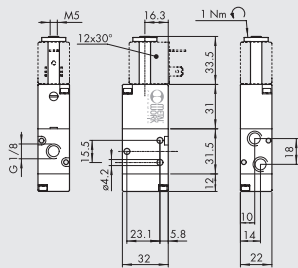
VALVES SERIES BASIC 1/4"

Flow rates



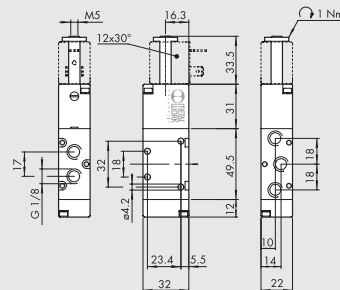
VALVES SERIES BASIC, 1/8"

MONOSTABLE 3/2 NC 1/8"



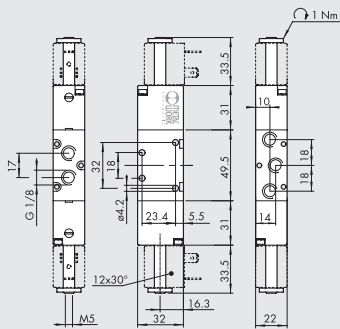
| Symbol | Code | Abbrev. | Weight [g] |
|--------|------------|---------------------|------------|
| | 7090020200 | ELPN 1/8 3/2 MON NC | 100 |

MONOSTABLE 5/2 1/8"



| Symbol | Code | Abbrev. | Weight [g] |
|--------|------------|------------------|------------|
| | 7090021100 | ELPN 1/8 5/2 MON | 128 |

BISTABLE 5/2 1/8"



| Symbol | Code | Abbrev. | Weight [g] |
|--------|------------|------------------|------------|
| | 7090021200 | ELPN 1/8 5/2 BIS | 160 |

NOTES

VALVES

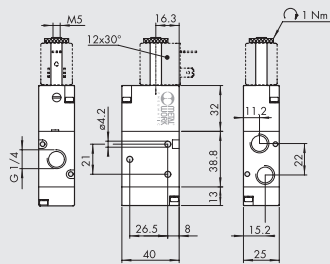
VALVES SERIES BASIC

VALVES SERIES BASIC, 1/4"

VALVES

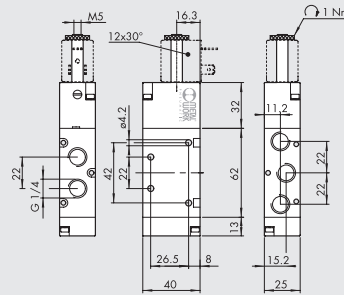
VALVES SERIES BASIC

MONOSTABLE 3/2 NC 1/4"



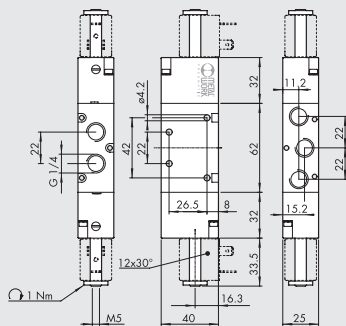
| Symbol | Code | Abbrev. | Weight [g] |
|--------|------------|---------------------|------------|
| | 7091020200 | ELPN 1/4 3/2 MON NC | 152 |

MONOSTABLE 5/2 1/4"



| Symbol | Code | Abbrev. | Weight [g] |
|--------|------------|------------------|------------|
| | 7091021100 | ELPN 1/4 5/2 MON | 200 |

BISTABLE 5/2 1/4"

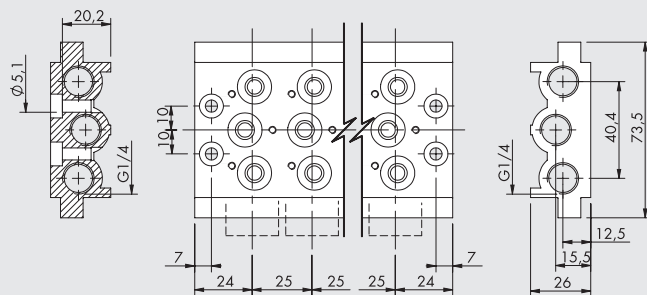


| Symbol | Code | Abbrev. | Weight [g] |
|--------|------------|------------------|------------|
| | 7091021200 | ELPN 1/4 5/2 BIS | 236 |

NOTES

ACCESSORIES

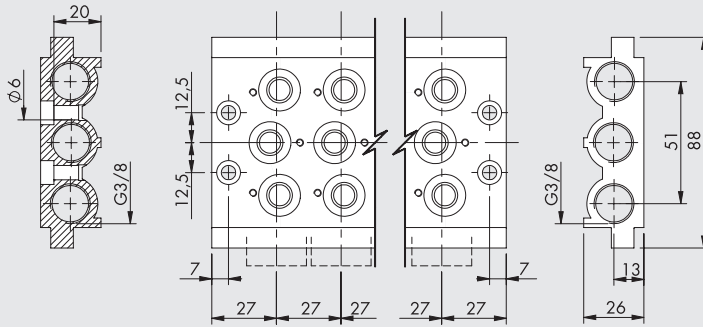
MULTIPLE BASE 1/8"



| Code | Description | Weight [g] |
|------------|--------------------------------------|------------|
| 0223200201 | 2 positions multiple base BASIC 1/8 | 236 |
| 0223200301 | 3 positions multiple base BASIC 1/8 | 321 |
| 0223200401 | 4 positions multiple base BASIC 1/8 | 407 |
| 0223200501 | 5 positions multiple base BASIC 1/8 | 494 |
| 0223200601 | 6 positions multiple base BASIC 1/8 | 587 |
| 0223200701 | 7 positions multiple base BASIC 1/8 | 711 |
| 0223200801 | 8 positions multiple base BASIC 1/8 | 760 |
| 0223200901 | 9 positions multiple base BASIC 1/8 | 842 |
| 0223201001 | 10 positions multiple base BASIC 1/8 | 923 |

Note: supplied complete with screws and gaskets

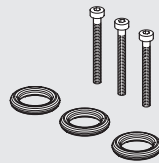
MULTIPLE BASE 1/4"



| Code | Description | Weight [g] |
|------------|--------------------------------------|------------|
| 0224200201 | 2 positions multiple base BASIC 1/4 | 296 |
| 0224200301 | 3 positions multiple base BASIC 1/4 | 406 |
| 0224200401 | 4 positions multiple base BASIC 1/4 | 515 |
| 0224200501 | 5 positions multiple base BASIC 1/4 | 624 |
| 0224200601 | 6 positions multiple base BASIC 1/4 | 733 |
| 0224200701 | 7 positions multiple base BASIC 1/4 | 845 |
| 0224200801 | 8 positions multiple base BASIC 1/4 | 956 |
| 0224200901 | 9 positions multiple base BASIC 1/4 | 1055 |
| 0224201001 | 10 positions multiple base BASIC 1/4 | 1086 |

Note: supplied complete with screws and gaskets

GASKET KIT



| Code | Description | Weight [g] |
|------------|-------------------------|------------|
| 0226004701 | Gasket kit for 1/8 base | 5 |
| 0226005701 | Gasket kit for 1/4 base | 5 |

MANIFOLD BASES



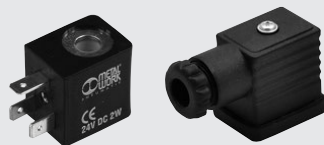
Refer to page B1.44 for manifold bases

MANIFOLDS



Refer to page B1.43 for manifolds

COILS AND CONNECTORS



Refer to page B1.60 for coils and connectors

VALVES

VALVES SERIES BASIC

Accessories

| | Art. No. | Type No. |
|--|----------|--------------|
| Solenoid 12 V DC, 2 W | 118631 | 400-514-41 |
| Solenoid 24 V DC, 2 W | 118632 | 400-514-42 |
| Solenoid 24 V AC, 50/60 Hz, 3,5 VA | 118628 | 400-514-01 |
| Solenoid 110 V AC, 50/60 Hz, 3,5 VA | 118629 | 400-514-07 |
| Solenoid 230 V AC, 50/60 Hz, 3,5 VA | 118630 | 400-514-17 |
| Plug connector, standard, industrial form B, black | 117313 | 1920.9P |
| Plug connector with LED, 24 V, transparent | 117316 | 1920.9PL.42 |
| Plug connector with LED, 110 V, transparent | 151011 | 1920.9PL110 |
| Plug connector with LED, 230 V, transparent | 117314 | 1920.9PL.17 |
| Plug connector with LED, varistor 24 V, transparent | 117318 | 1920.9PLV42 |
| Plug connector with LED, varistor 110 V, transparent | 129849 | 1920.9PLV110 |
| Plug connector with LED, varistor 230 V, transparent | 117317 | 1920.9PLV17 |
| Feed block with 2 valve positions | 106616 | 519.02-14 |
| Feed block with 3 valve positions | 106617 | 519.03-14 |
| Feed block with 4 valve positions | 106618 | 519.04-14 |
| Feed block with 5 valve positions | 106619 | 519.05-14 |
| Feed block with 6 valve positions | 106620 | 519.06-14 |
| Feed block with 7 valve positions | 106621 | 519.07-14 |
| Mounting bracket set, height 120.0 mm | 106607 | 518.120-14 |
| Mounting bracket set, height 60.0 mm | 106608 | 518.60-14 |
| Mounting bracket set, height 30.0 mm | 106609 | 518.30-14 |