

## Coaxial valve

pneumatically operated

**EASY**

Art. No. 146441

Type No. 351.951-1



Exemplary illustration

2/2-way coaxial valves, specially designed for automated industrial plant engineering.

A low-price, compact, space-saving and reliable alternative to ball valves with a pneumatic rotary actuator.

These valves have a full bore and - owing to the optimised design - only minimal flow losses.

They are controlled by means of filtered compressed air.

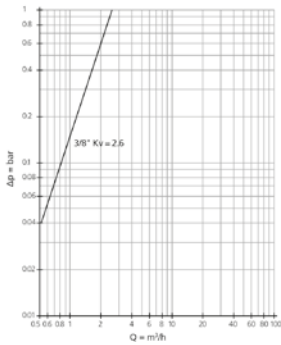
## Technical data

|                            |  |
|----------------------------|--|
| Housing                    | Nickel-plated brass                                    |
| Max. operating pressure    | 10 bar   |
| Min. pilot pressure        | 4,2 bar  |
| Max. pilot pressure        | 8 bar  |
| Min. operating temperature | -20 °C   |
| Max. operating temperature | 150 °C   |
| Control medium             | filtered, dry compressed air                           |
| Flow medium                | non-aggressive gases and liquids                       |
| Flow rate kv value         | 2,6 m <sup>3</sup> /h                                  |
| Flow direction             | any  |
| Connection                 | 2 x G 1/8 (NAMUR interface only with adapter)          |
| Thread                     | Rp 3/8   |
| Internal parts             | Nickel-plated brass                                    |
| Spring                     | Stainless steel  |
| Mounting position          | any  |
| Version                    | single-acting - spring to close                        |
| Type of construction       | Piston valve (special piston design for 100 % passage) |
| Operation                  | air-actuated at one and                                |
| Sealant                    | FKM  |
| DN                         | 10   |
| H                          | 46 mm  |
| L                          | 98 mm  |
| Weight                     | 0,6 kg   |

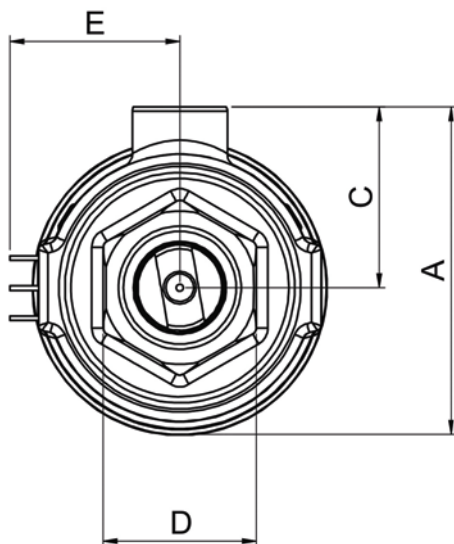
## Commercial data

|                         |                  |
|-------------------------|------------------|
| Customs tariff number   | 84818069         |
| Country of origin       | IT               |
| eCl@ss 5.1.4            | 27292002         |
| eCl@ss 9.0              | 27292002         |
| UNSPSC_Code_v190501     | 40141603         |
| UNSPSC_CodeDesc_v190501 | Pneumatic valves |

## Flow chart



## Dimensions



| A    | C    | D  | E    |
|------|------|----|------|
| mm   | mm   | mm | mm   |
| 53,5 | 30,5 | 22 | 28,2 |

## Further information

- No moving external parts (reduced risk of accidents)
- Directly mountable control valve
- Choice of two sealing materials for a wide range of applications

## Accessories

|   | Art. No. | Type No. |
|---|----------|----------|
| NAMUR adapter plate for angle-seat valves G 1/2 - G 2 | 131434   | NAP      |