

Pressure regulator

for potable water, DVGW-tested acc. to EN 1567



Art. No. 146318

Type No. DRTWR.G34.1-8B



Exemplary illustration

Diaphragm pressure regulator made of red brass with pressure-reduced single-seated valve and built-in strainer. The regulator protects domestic water installations as well as commercial and industrial systems against excessive supply pressure.

Technical data

Max. input pressure	40 bar
Operating temperature	-20 to 95 °C
Operating temperature max. drinking water	80 °C
Control range	1 - 8 bar
Thread	G 3/4 IT
DN	20
a/f	35 mm
Flow rate kvs value	3.5 m ³ /h
Medium	potable water, nitrogen, argon, neutral and non-adhesive liquids, compressed air and neutral gases
Housing	red brass (CC499K)
Internal parts	red brass (CC499K) and stainless steel (1.4404)
Pressure setting	adjusting screw
Pressure spring	spring steel, rust-protected
Screen	stainless steel
Mesh size strainer	0.60 mm
A	95.0 mm
C	33.0 mm
D	102.0 mm

Size R 2 and other control range available on request.

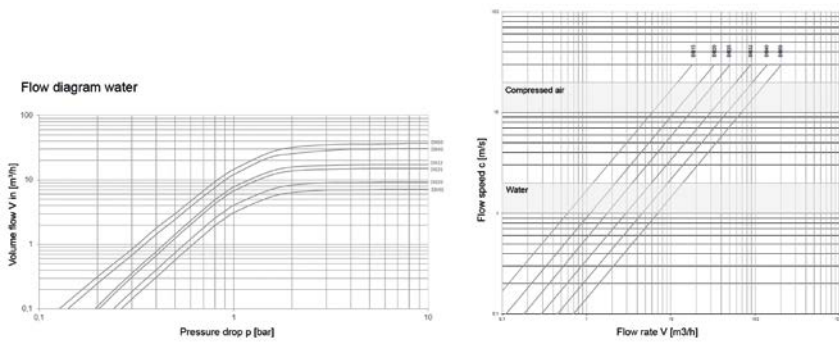
The following approvals are available on request:

- DIN-DVGW type examination (up to 80 °C)
- ACS approval
- WRAS approval (up to 85 °C)
- SINTEF approval
- PZH approval

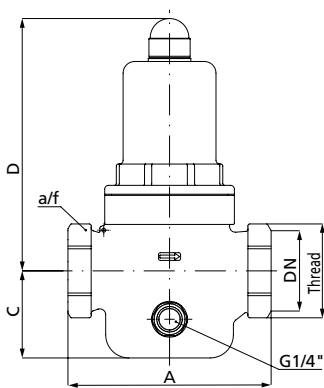
Commercial data

Customs tariff number	84811099
Country of origin	DE
eCl@ss 5.1.4	37011108
eCl@ss 9.0	37011108
UNSPSC_Code_v190501	41112404
UNSPSC_CodeDesc_v190501	Pressure regulator

Flow chart



Dimensions



Thread	A	C	D	a/f	DN
	mm	mm	mm	mm	
G 3/4 IT	95.0	33.0	102.0	35	20

Application examples

Use of pressure reducers if a certain pressure must not be exceeded on the outlet side of the pipe network despite different pressures on the inlet side

- potable water supply in accordance with DIN 1988
- service water supply in industrial and building technology
- snowmaking systems
- fire extinguishing technology and sprinkler systems
- shipbuilding and offshore systems

Spareparts

	Art. No.	Type No.
Valve insert for G 1/2 and G 3/4	146312	VEDRTWR.G12.G34
Pressure gauge Ø 63 mm, G 1/4 ET, 0 - 10 bar/145 psi	101244	217-KD