

2/2-way solenoid valve

Stainless steel, professional standard series

PLUS

Art. No. 146070

Type No. MVA.14.ES.24D.N.RD.4



Exemplary illustration

In many areas, such as plant engineering, process technology or filling technology, solenoid valves are an optimum solution for control and regulation of fluids.

With this professional standard series, RIEGLER offers fluid valves designed in Germany and produced in Europe. A consistently managed modular system guarantees a broad spectrum of possible valve forms in regards to sealing materials or valve bodies. If you cannot find your required specification in our standard products, please contact us.

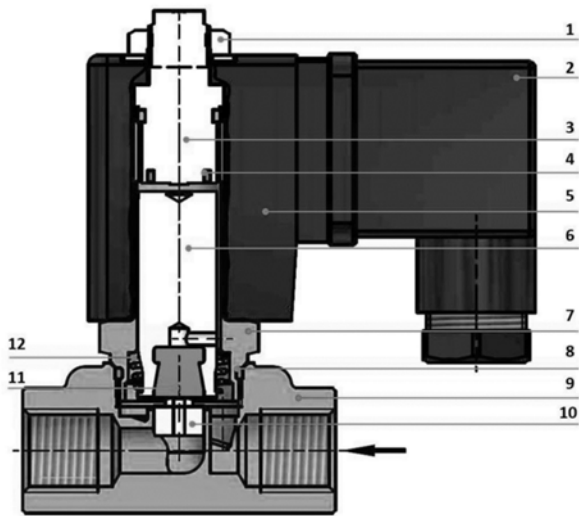
Technical data

Housing	Stainless steel
Valve seat	Stainless steel
Internal parts	Stainless steel
Protection IP	IP65 (with connector socket fitted)
Function	normally closed (NC)
Thread	G 1/4
DN	4
Voltage	24 V DC
Operating pressure	0 - 8 bar
Electrical connection	Connector socket acc. to DIN EN 175301-803 standard type A
Medium temperature	-20 to 85 °C
Ambient temperature	-20 to 55 °C
Mounting position	Solenoid preferably in upright position
Voltage tolerance	± 10% acc. VDE 0580
Power input	6.5W
Duty cycle	100 %

Commercial data

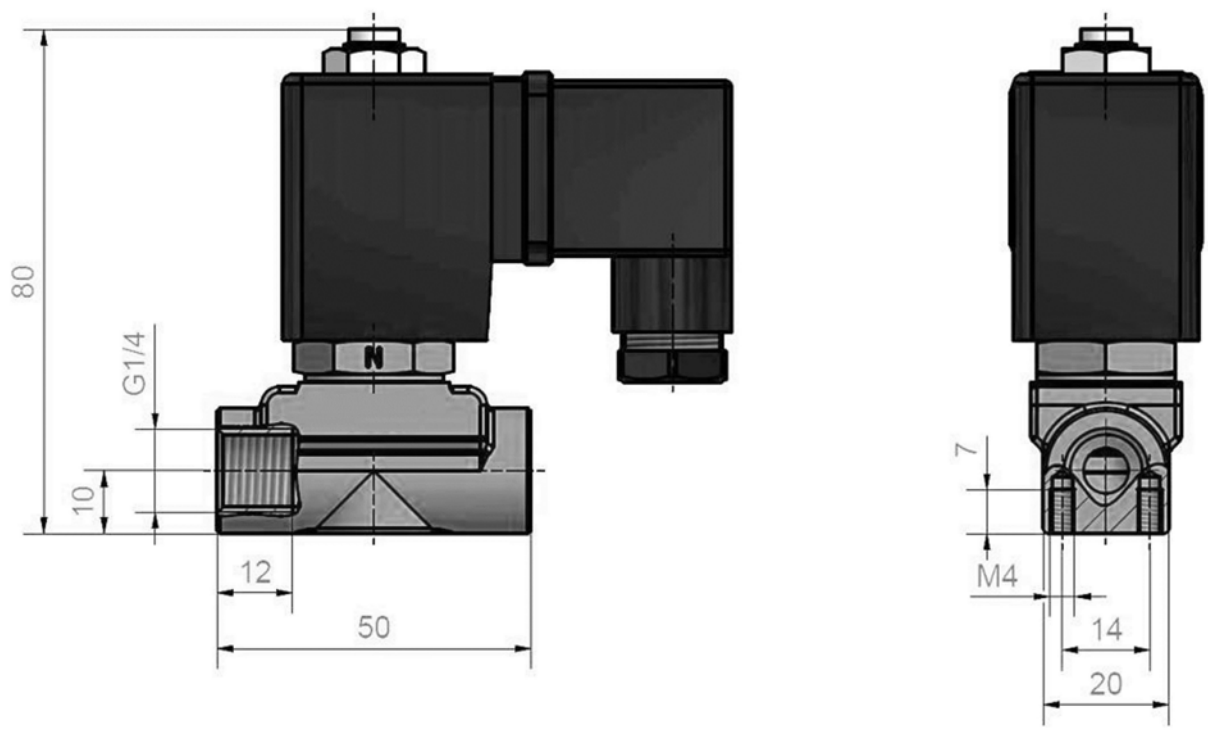
Customs tariff number	84818073
Country of origin	CN
eCl@ss 5.1.4	27220601
eCl@ss 9.0	27220601
UNSPSC_Code_v190501	40141605
UNSPSC_CodeDesc_v190501	Solenoid valves

Materials



Nr.	Part	Werkstoff
1	Connector socket	Plactic cover
2	Nut	Galvanised steel
3	Pole core	Stainless steel
4	Short circuit ring	Silver
5	Solenoid	Plastic cover
6	Plunger	Stainless steel
7	Guide tube	Stainless steel
8	O-Ring	FPM/NBR/EPDM
9	Valve body	Stainless steel
10	Seat nozzle	Stainless steel
11	Sealing plug seat	FPM/NBR/EPDM
12	Spring	Stainless steel

Dimensions



Thread

G 1/4