

Stainless steel pressure regulator

made of stainless steel 1.4404

Art. No. 136420

Type No. DRES.G1R.05-8B.T



Exemplary illustration

Stainless steel regulators with secondary venting (reversible) for use in the chemical industry, mining, plant construction and special machinery industries, pneumatics, etc.
Pressure setting by hexagon head screw.

Technical data

Max. input pressure	60 bar
Min. medium temperature	-40 °C
Max. medium temperature	80 °C
Min. ambient temperature	-40 °C
Max. ambient temperature	80 °C
Control range	0,5 - 8 bar
Housing	Stainless steel 1.4404 (AISI 316L)
Sealant	PU/HNBR
Diaphragms	HNBR
Flow rate	5883 l/min
Flow rate measurement	At $P_1 = 10$ bar, $P_2 = 6,3$ bar and pressure drop $\Delta p \leq 1$ bar
Thread	G 1
A	204.0 mm
B	124.0 mm
C	59.0 mm
D	1
E	88.0 mm
F	59.0 mm
G	57.0 mm
H	33.0 mm
I	32.0 mm

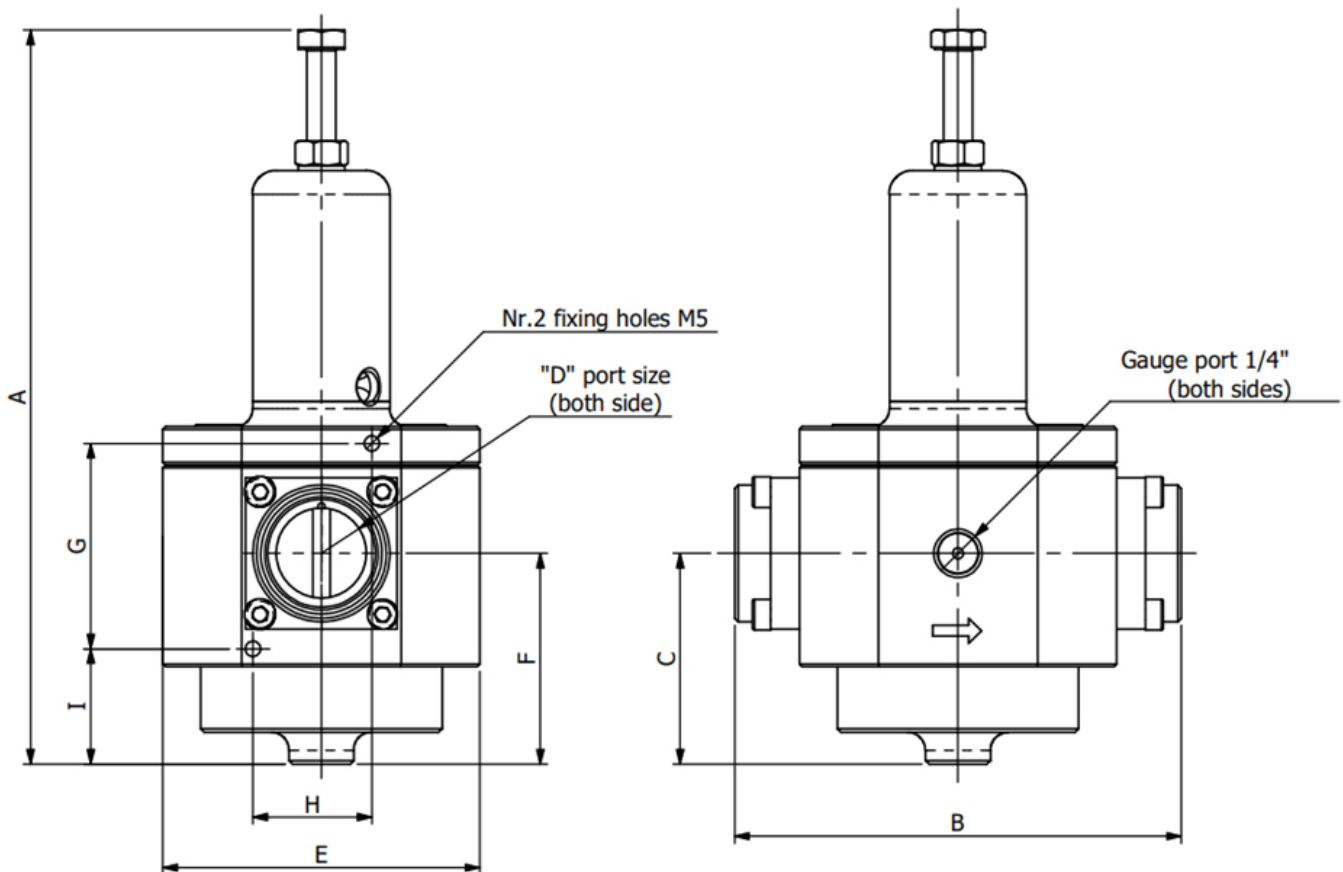
Possible certificate types according to DIN EN 10204 (available at an extra charge): 3.1 Material acceptance test certificate with details of the batch used

MOCA (1935/2004/EU) certified devices available on request

Commercial data

Customs tariff number	84811019
Country of origin	IT
eCl@ss 5.1.4	37011108
eCl@ss 9.0	37011108
UNSPSC_Code_v190501	41112404
UNSPSC_CodeDesc_v190501	Pressure regulator

Dimensions



Accessories

	Art. No.	Type No.
Mounting bracket, for pressure and filter regulator, G 1	135544	HWDRFRES.G1.T

Spareparts

	Art. No.	Type No.
Wear part set, for pressure and filter regulator, G 1	135037	VTSDRFRES.G1R.T
Pressure gauge Ø 63 mm, G 1/4 ET, 0 - 10 bar	101201	4084