

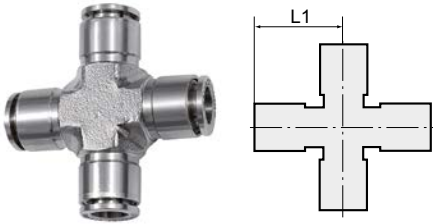
Push-in X-connector

stainless steel

STAINLESS STEEL

Art. No. 135277

Type No. 860.006 ES



Exemplary illustration

For use in more aggressive environments and corrosive media.
The suitability test for the individual application is the user's responsibility.

Technical data

| | |
|-------------------------|--|
| Working pressure | -0.98 - 20 bar |
| Operating temperature | -20 to 150 °C |
| Medium temperature | -20 to 150 °C |
| Material | Stainless steel 1.4404 |
| Medium | Compressed air,corrosive media (if compatible with material) |
| Sealant | FPM |
| Applications | Compressed air syst.,chemical and food, pharma, pack.,vacuum |
| For tube O.D. | 6 mm |
| L1 | 22.0 mm |
| a/f | 12 mm |
| Suitable pipe materials | PVDF, PTFE, PA, PU |

The suitability test for the use with alternative specifications is the user's responsibility.

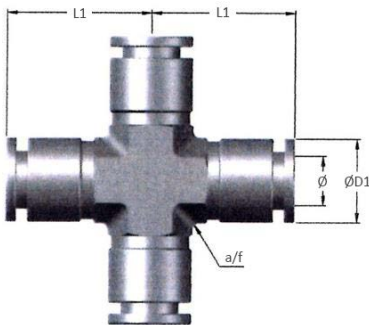
Commercial data

| | |
|-------------------------|--------------|
| Customs tariff number | 73072980 |
| Country of origin | IN |
| eCl@ss 5.1.4 | 27294201 |
| eCl@ss 9.0 | 27294201 |
| UNSPSC_Code_v190501 | 27131613 |
| UNSPSC_CodeDesc_v190501 | Air coupling |

Material informations

| | |
|----------------------------|----------------------------|
| REACH SVHC1 substance name | no |
| CAS no. SVHC 1 | no CAS No. |
| RoHS materials notice | RoHS compliant |
| REACH Info | no SVHC substance included |

Dimensions



| For tube O.D. | a/f | L1 | D1 |
|---------------|-----|------|------|
| mm | mm | mm | mm |
| 6 | 12 | 22.0 | 12.4 |

Accessories

| | Art. No. | Type No. |
|---|----------|----------|
| Loosening tool, quick-connect fittings, hose exterior Ø 3 - 10 mm | 108853 | LW3-10 |
| Loosening tool, quick-connect fittings, hose exterior Ø 4-14 mm | 121863 | LW4-14 |