

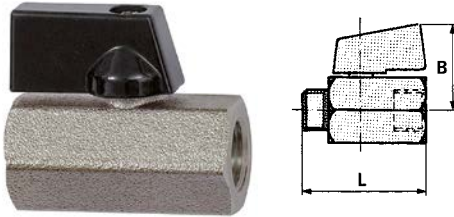
## Mini ball valve

sandblasted type - »valve line« series

**EASY**

Art. No. 132381

Type No. 373.02-E-1



Exemplary illustration

### Technical data

Housing	Nickel-plated brass
Ball	Nickel-plated brass
Rotating handle	Aluminium
Ball seal	PTFE
Stem seal	EPDM
Medium temperature	-20 to 90 °C
Ambient temperature	-20 to 90 °C
Max. operating pressure	10 bar
Thread material	Brass
Thread	G 3/8 IT
DN	10
a/f	21 mm
B	28.0 mm
L	39.5 mm

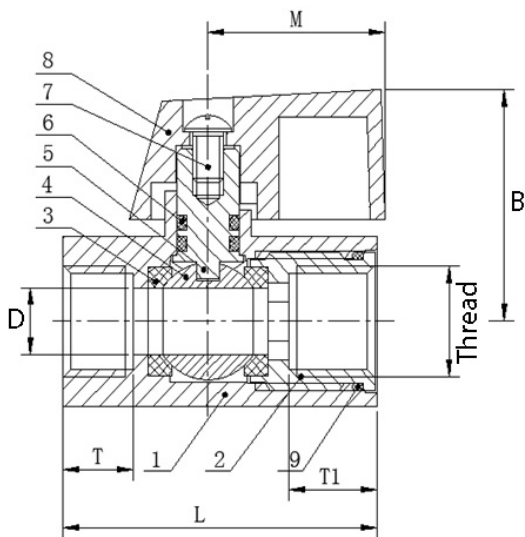
### Commercial data

Customs tariff number	84818081
Country of origin	CN
eCl@ss 5.1.4	27292002
eCl@ss 9.0	27292002
UNSPSC_Code_v190501	40141603
UNSPSC_CodeDesc_v190501	Pneumatic valves

## Material informations

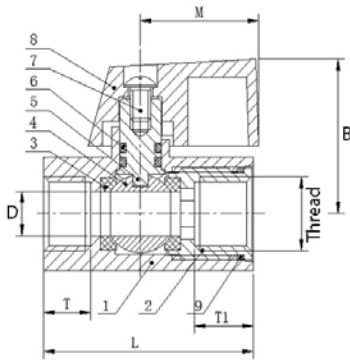
REACH SVHC1 substance name	lead
CAS no. SVHC 1	7439-92-1
RoHS materials notice	RoHS compliant
REACH Info	contains SVHC substance

## Materials



No.	Part name	Material	Material description
1	Body	Brass	CW617N
2	Bonnet	Brass	CW617N
3	Seat	PTFE	PTFE
4	Ball	Brass	Hpb56-4
5	Stem	Brass	Hpb58-2
6	O ring	EPDM	EPDM
7	Screw	Steel	Q235
8	Handle	Aluminium	Al

## Dimensions



Thread	DN	L mm	B mm	T mm	t1 mm	M mm	D mm
G 3/8 IT	10	39.5	28.0	9.0	10.7	23,0	8.0