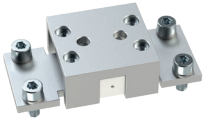


Articulated carrier

ZRL1 series

Art. No. 129663

Type No. KBW.ZRL1F.32



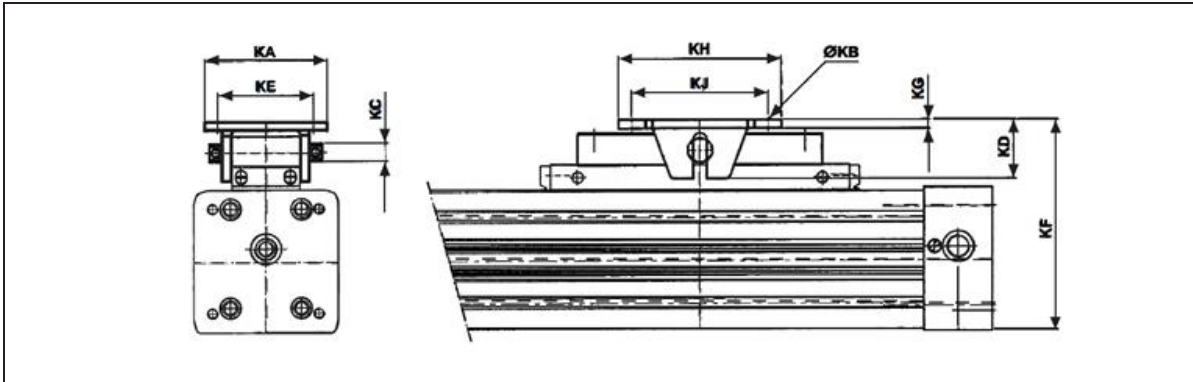
Exemplary illustration

Technical data

| | |
|-----------------------|-------------------------------------|
| For cylinders | ZRL1F |
| Suitable for piston Ø | 32 mm |
| Version | 1 piece with 4 screws and 4 washers |

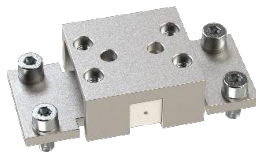
Commercial data

| | |
|-------------------------|---------------------------------------|
| Customs tariff number | 84129080 |
| Country of origin | DE |
| eCl@ss 5.1.4 | 27299202 |
| eCl@ss 9.0 | 27299202 |
| UNSPSC_Code_v190501 | 27131708 |
| UNSPSC_CodeDesc_v190501 | Mounting bases for pneumatic cylinder |

Articulated carrier for ZRL1F - 1 piece with 4 screws and 4 washers


| Art. No. | Type No. | Ø | KA | KB | KC | KD | KE | KF* | KG | KH | KJ |
|----------|--------------|----|----|----|------|------|----|-----------|-----|-----|-----|
| 129661 | KBW.ZRL1F.16 | 16 | 26 | M4 | 3.5 | 10.0 | 10 | 46.5-47.5 | 3.0 | 28 | 20 |
| 129662 | KBW.ZRL1F.25 | 25 | 38 | M5 | 8.0 | 19.0 | 16 | 71.5-73.5 | 3.5 | 40 | 30 |
| 129663 | KBW.ZRL1F.32 | 32 | 62 | M6 | 12.0 | 28.0 | 25 | 94.5-96.5 | 6.0 | 60 | 46 |
| 129664 | KBW.ZRL1F.40 | 40 | 62 | M6 | 12.0 | 28.0 | 25 | 108-110 | 6.0 | 60 | 46 |
| 129665 | KBW.ZRL1F.50 | 50 | 90 | 9 | 15.0 | 43.7 | 70 | 135-150 | 6.4 | 120 | 100 |
| 129666 | KBW.ZRL1F.63 | 63 | 90 | 9 | 15.0 | 43.7 | 70 | 155-170 | 6.4 | 120 | 100 |

* Variable within the length of the available fork depth.



KBW.ZRL1F.16