

# Double threaded nipple

Stainless steel 1.4408

**STAINLESS STEEL**

Art. No. 118882

Type No. DGNG2ES4408



Exemplary illustration

## Technical data

|                            |                        |
|----------------------------|------------------------|
| Max. working pressure      | 20 bar                 |
| Max. operating temperature | 150 °C                 |
| Material                   | Stainless steel 1.4408 |
| Thread                     | G 2                    |
| L1                         | 57.0 mm                |
| a/f                        | 62 mm                  |
| Thread form                | parallel male thread   |
| Standard thread            | DIN EN ISO 228-1       |
| Version                    | Hexagonal              |

From thread size of 1 inch, we recommend using an adjustable open-end wrench.

To ensure a proper sealing of the cylindrical threads (G) and tapered threads (R/Rp) we recommend using a suitable sealant (e.g. hemp, sealing tape or suitable industrial adhesive).

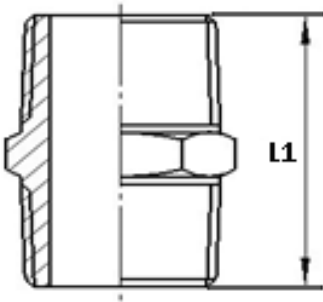
## Commercial data

|                         |                             |
|-------------------------|-----------------------------|
| Customs tariff number   | 73072910                    |
| Country of origin       | CN                          |
| eCl@ss 5.1.4            | 22360606                    |
| eCl@ss 9.0              | 22560206                    |
| UNSPSC_Code_v190501     | 40173303                    |
| UNSPSC_CodeDesc_v190501 | Stainless steel pipe nipple |

## Material informations

|                            |                            |
|----------------------------|----------------------------|
| REACH SVHC1 substance name | no                         |
| CAS no. SVHC 1             | no CAS No.                 |
| RoHS materials notice      | RoHS compliant             |
| REACH Info                 | no SVHC substance included |

## Dimensions



| Thread | L1<br>mm | a/f<br>mm |
|--------|----------|-----------|
| G 2    | 57.0     | 62        |

From thread size of 1 inch, we recommend using an adjustable open-end wrench.

To ensure a proper sealing of the cylindrical threads (G) and tapered threads (R/Rp) we recommend using a suitable sealant (e.g. hemp, sealing tape or suitable industrial adhesive).