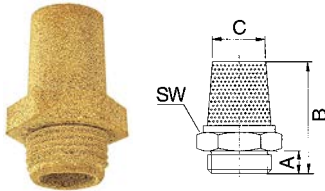


# Sintered bronze silencer

**PLUS**

Art. No. 113343

Type No. 567-6



Exemplary illustration

For reducing the exhaust noise generated by pneumatic equipment.

## Technical data

|                       |                  |
|-----------------------|------------------|
| Operating pressure    | 0 - 8 bar        |
| Operating temperature | -10 to 250 °C    |
| Material              | Sintered bronze  |
| Max. pore size        | 50 µm            |
| Version               | with hexagon nut |
| Thread                | G 1              |
| a/f                   | 41 mm            |
| A                     | 16.0 mm          |
| B                     | 66.0 mm          |
| C                     | 28.0 mm          |
| Noise reduction       | ≥ 20 dB(A)       |
| Noise level at 6 bar  | 71 to 108 dB     |
| Flow rate at 6 bar    | 7300 l/min       |

Flow rate measurement at 6 bar, differential pressure  $\Delta p$  1 bar in atmosphere

The use of silencers does not automatically reduce exhaust noise to a safe level. The need for other noise-reducing measures, such as hearing protection, must be assessed as well.

Uses and applications are the responsibility of the user. However, it is necessary to carry out appropriate tests before use in order to convince yourself of the desired function under the respective conditions. All further claims, in particular liability for consequential damages, are excluded in principle.

## Commercial data

|                         |                     |
|-------------------------|---------------------|
| Customs tariff number   | 84819000            |
| Country of origin       | CN                  |
| eCl@ss 5.1.4            | 27299223            |
| eCl@ss 9.0              | 27299223            |
| UNSPSC_Code_v190501     | 27131609            |
| UNSPSC_CodeDesc_v190501 | Pneumatic silencers |

## Material informations

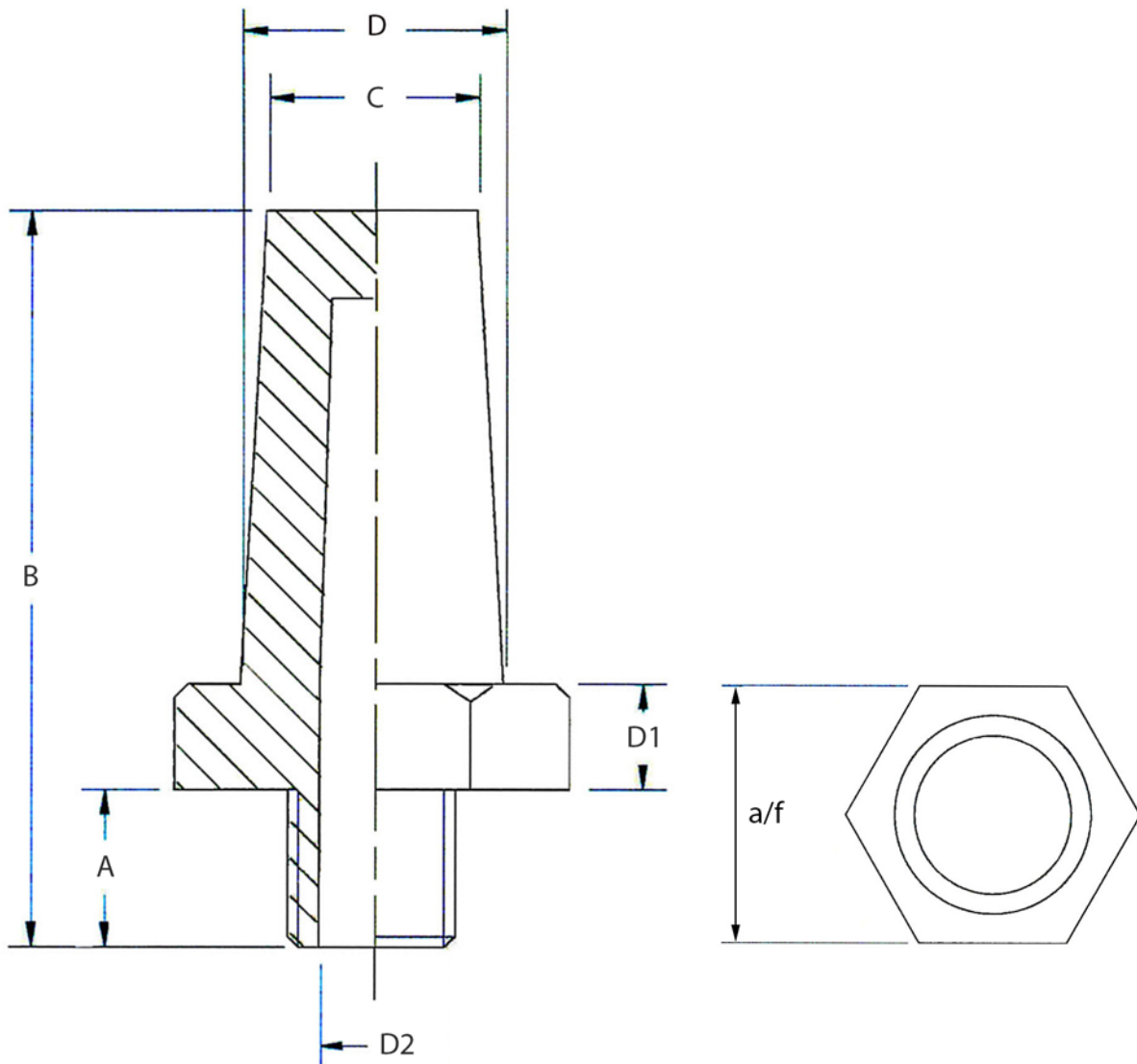
|                            |                         |
|----------------------------|-------------------------|
| REACH SVHC1 substance name | lead                    |
| CAS no. SVHC 1             | 7439-92-1               |
| RoHS materials notice      | RoHS compliant          |
| REACH Info                 | contains SVHC substance |

## Noise level at 6 bar

| <dB1  | <dB2 | ≥ΔdB |
|-------|------|------|
| 110.6 | 73.2 | 37.4 |

| <dB1  | <dB2 | ≥ΔdB |
|-------|------|------|
| 122.3 | 98.8 | 23.5 |

## Dimensions



| Thread | A<br>mm | B<br>mm | C<br>mm | a/f<br>mm | D2<br>mm | D<br>mm | D1<br>mm |
|--------|---------|---------|---------|-----------|----------|---------|----------|
| G 1    | 16.0    | 66.0    | 28.0    | 41        | 22.0     | 31.0    | 10.0     |