

5/2-way foot valve

3/2- and 5/2-way

PLUS

Art. No. 106668

Type No. 513.106



Exemplary illustration

Foot-operated valves, 3/2- and 5/2-way types, bistable or monostable (non-latching).

Technical data

| | |
|-------------------------|--|
| Operating pressure | 2.5 - 10 bar |
| Temperature range | -10 to 60 °C |
| Medium | Filtered compressed air with or without lubrication. If lubricated, then continuous. |
| Flow rate measurement 1 | Flow rate at 6.3 bar and Δp 0.5 bar |
| Flow rate 1 | 640 NI/min |
| Flow rate measurement 2 | Flow rate at 6.3 bar and Δp 1.0 bar |
| Flow rate 2 | 840 NI/min |
| Connection | G 1/4 |
| Symbol | 22 |
| Series | Valves series PEV |

Commercial data

| | |
|-------------------------|------------------|
| Customs tariff number | 84818079 |
| Country of origin | IT |
| eCl@ss 5.1.4 | 27291501 |
| eCl@ss 9.0 | 27291390 |
| UNSPSC_Code_v190501 | 40141603 |
| UNSPSC_CodeDesc_v190501 | Pneumatic valves |

B1

VALVES SERIES PEV PEDAL OPERATED

The valves series PEV with pedal are available in a wide range:

- 5/2 1/4" monostable and bistable with guarded pedal
- 3/2 M5 monostable, pedal not guarded
- 3/2 Ø 4 monostable, pedal not guarded
- 3/2 M5 in monostable and bistable configuration with guarded pedal
- 3/2 Ø 4 in monostable and bistable configuration with guarded pedal



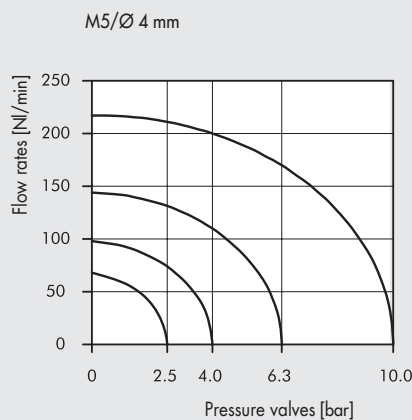
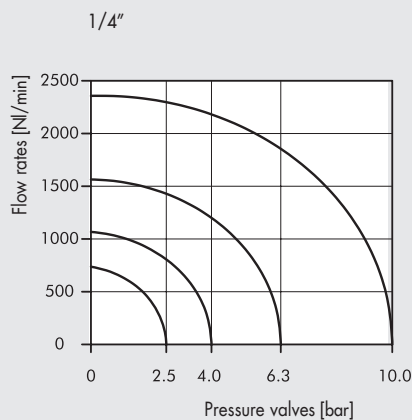
VALVES

VALVES SERIES PEV PEDAL OPERATED

TECHNICAL DATA

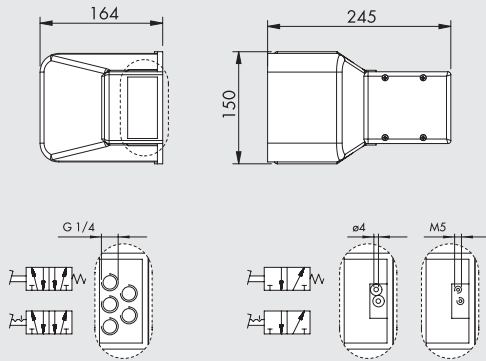
| | | Ø 4 | M5 | 1/4" |
|---------------------------------|--------------|--|--|-----------------------------|
| Valve fitting port | Type | Mono/ bistable guarded Monostable not guarded | Monostable not guarded Mono/ bistable guarded | Mono/ bistable guarded - |
| Operating pressure | bar | | 2.5 to 10 | |
| | Mpa | | 0.25 to 1 | |
| | psi | | 36 to 145 | |
| Operating temperature range | °C | | -10 + 60 | |
| Nominal diameter | mm | 2.5 | 2.5 | 7.5 |
| Conductance C | Nl/min · bar | 16.5 | 16.5 | 264.26 |
| Critical ratio b | bar/bar | 0.03 | 0.03 | 0.32 |
| Flow rate at 6.3 bar ΔP 0.5 bar | Nl/min | 60 | 60 | 640 |
| Flow rate at 6.3 bar ΔP 1 bar | Nl/min | 95 | 95 | 840 |
| Fluid | | Filtered air without lubrication; lubrication, if used, must be continuous | | |
| Compatibility with oils | | See chapter Z1 | | |

FLOW CHARTS



B1.8

GUARDED PEDAL WITH VALVES 5/2 1/4" - 3/2 M5 - 3/2 Ø 4

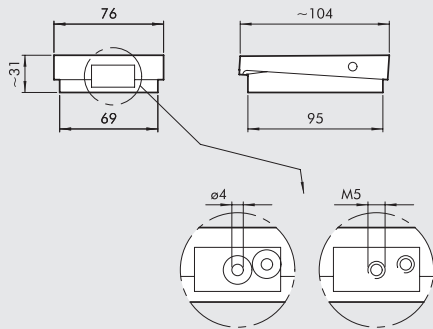


| Symbol | Code | Description | Abbrev. | Weight [g] |
|--------|-------------|---|---------------|------------|
| | W312000001 | 5/2 - 1/4" monostable, guarded | PEV 35 PES PR | 1027 |
| | W312000011 | 5/2 - 1/4" bistable, guarded | PEV 35 PEB PR | 1035 |
| | W3120000301 | 3/2 M5 monostable, guarded | PEV 03 PES PR | 883 |
| | W3120000321 | 3/2 Ø 4 monostable, guarded | PEV F3 PES PR | 887 |
| | W3120000331 | 3/2 M5 bistable, guarded | PEV 03 PEB PR | 890 |
| | W3120000311 | 3/2 Ø 4 bistable, guarded | PEV F3 PEB PR | 914 |
| | W3120000021 | 5/2 - 1/4" monostable with mechanical block and guard | PEV 35 PEC PR | 1014 |

● The pedal-down position is maintained by a lever.
 When the foot presses on the lever, the pedal releases and can rise.
 ■ When the foot presses on a locking lever, the pedal can be lowered.

VALVES

NOT-GUARDED PEDAL WITH VALVES 3/2 M5 - 3/2 Ø 4



| Symbol | Code | Description | Abbrev. | Weight [g] |
|--------|-------------|----------------------------------|---------------|------------|
| | W3120000411 | 3/2 - M5 monostable, not guarded | PEV 03 PES WP | 188 |
| | W3120000401 | 3/2 Ø 4 monostable, not guarded | PEV F3 PES WP | 192 |

VALVES SERIES PEV PEDAL OPERATED

SYNOPTIC, SIZES AND VERSIONS

| PEV FAMILY | F DIMENSIONS | 3 FUNCTION | PE OPERATORS 14 | C RESETTING (12) | WP FURTHER DETAILS |
|----------------------|------------------------|----------------|-------------------|--|------------------------------|
| PEV valve with pedal | 3 1/4 0 M5 F Ø 4 | 3 3/2 5 5/2 | PE pedal operated | S mechanical springs C mechanical block B bistable | WP not guarded PR guarded |