

## Supply strip

for the pilot valves, pneumatic and electro-pneumatic

Art. No. 106607

Type No. 518.120-14



Exemplary illustration

Quick and easy assembly system for side-by-side mounting of the above control valve types. Requires one set of mounting brackets and a feed block.

Not for 5/2-way spool valves - Robust type and 3A, 4A, 3V, 4V type.

### Technical data

|                |                                       |
|----------------|---------------------------------------|
| Description    | Mounting bracket set, height 120.0 mm |
| Material       | steel                                 |
| For valve port | G 1/4                                 |

### Commercial data

|                         |               |
|-------------------------|---------------|
| Customs tariff number   | 84819000      |
| Country of origin       | IT            |
| eCl@ss 5.1.4            | 27294206      |
| eCl@ss 9.0              | 27294206      |
| UNSPSC_Code_v190501     | 27131601      |
| UNSPSC_CodeDesc_v190501 | Air manifolds |

### Material informations

|                            |                         |
|----------------------------|-------------------------|
| REACH SVHC1 substance name | lead                    |
| CAS no. SVHC 1             | 7439-92-1               |
| RoHS materials notice      | RoHS compliant          |
| REACH Info                 | contains SVHC substance |

**ACCESSORIES: 1/8 MANIFOLDS FOR SERIES 70 PNV-SOV AND SERIES BASIC VALVES**

**MANIFOLD WITH 2 TO 7 POSITIONS + FITTINGS**



| Code       | Description | Weight [g] |
|------------|-------------|------------|
| 0221000200 | CSA-18-02   | 70         |
| 0221000300 | CSA-18-03   | 99         |
| 0221000400 | CSA-18-04   | 131        |
| 0221000500 | CSA-18-05   | 162        |
| 0221000600 | CSA-18-06   | 192        |
| 0221000700 | CSA-18-07   | 229        |

**BRACKET SET H120**



| Code       | Description | Weight [g] |
|------------|-------------|------------|
| 0221000190 | CSA-18-OO   | 309        |

**BRACKET SET H60**



| Code       | Description | Weight [g] |
|------------|-------------|------------|
| 0221000191 | CSA-18-OC   | 213        |

**BRACKET SET H30**



| Code       | Description | Weight [g] |
|------------|-------------|------------|
| 0221000192 | CSA-18-OE   | 181        |

VALVES

ACCESSORIES FOR VALVES SERIES 70

**ACCESSORIES: 1/4 MANIFOLDS FOR SERIES 70 PNV-SOV AND SERIES BASIC VALVES**

**MANIFOLD WITH 2 TO 7 POSITIONS + FITTINGS**



| Code       | Description | Weight [g] |
|------------|-------------|------------|
| 0222000200 | CSA-14-02   | 89         |
| 0222000300 | CSA-14-03   | 131        |
| 0222000400 | CSA-14-04   | 174        |
| 0222000500 | CSA-14-05   | 213        |
| 0222000600 | CSA-14-06   | 252        |
| 0222000700 | CSA-14-07   | 328        |

**BRACKET SET H120**



| Code       | Description | Weight [g] |
|------------|-------------|------------|
| 0222000190 | CSA-14-OO   | 338        |

**BRACKET SET H60**



| Code       | Description | Weight [g] |
|------------|-------------|------------|
| 0222000191 | CSA-14-OC   | 242        |

**BRACKET SET H30**



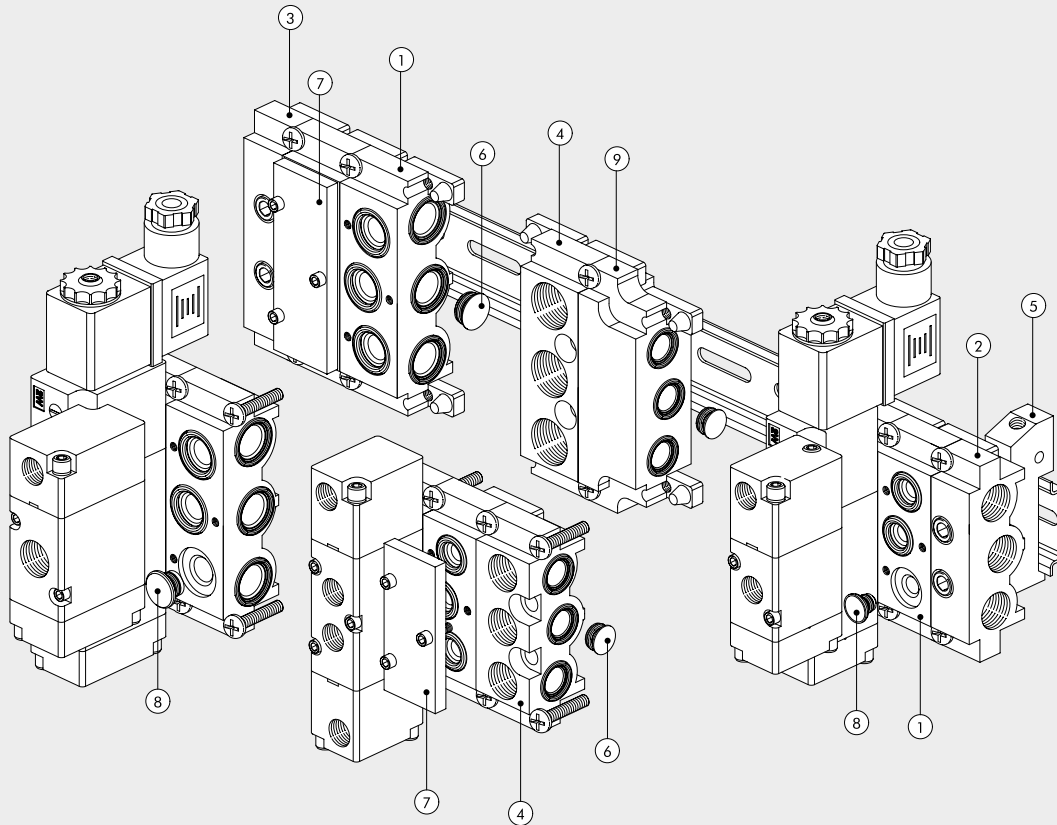
| Code       | Description | Weight [g] |
|------------|-------------|------------|
| 0222000192 | CSA-14-OE   | 209        |

**ACCESSORIES: MANIFOLD BASES FOR SERIES 70 PNV-SOV AND SERIES BASIC VALVES**

**MODULAR BASES FOR SERIES 70 SOV-PNV VALVES**

VALVES

ACCESSORIES FOR VALVES SERIES 70



| Reference | 1/8"       | 1/4"       | Description                      |
|-----------|------------|------------|----------------------------------|
| ①         | 0226004150 | 0226005150 | Modular manifold base            |
| ②         | 0226004201 | 0226005201 | End plate without OR             |
| ③         | 0226004200 | 0226005200 | End plate with OR                |
| ④         | 0226004300 | 0226005300 | Intermediate part for upper feed |
| ⑤         | 0226004600 | 0226005600 | Adapter for omega bar            |
| ⑥         | 0226004000 | 0226005000 | Intermediate diaphragm           |
| ⑦         | 0226004500 | 0226005500 | Blanking plate                   |
| ⑧         | 0226004001 | 0226005001 | 3/2 cap                          |
| ⑨         | 0226006600 | -          | Dimensional adapter              |

① MODULAR BASE MANIFOLD



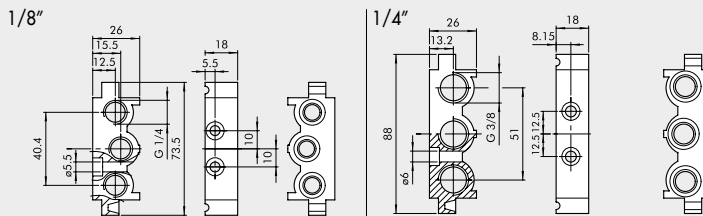
| Code       | Description                | Weight [g] |
|------------|----------------------------|------------|
| 0226004150 | Modular base MANIFOLD 1/8" | 110        |
| 0226005150 | Modular base MANIFOLD 1/4" | 131        |

② END PLATE WITHOUT OR



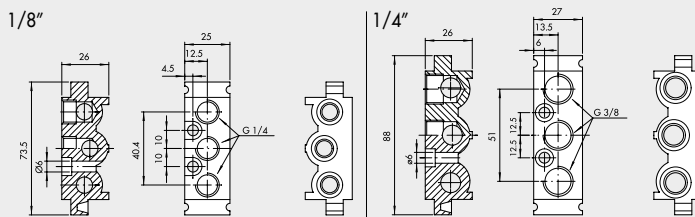
| Code       | Description               | Weight [g] |
|------------|---------------------------|------------|
| 0226004201 | End plate without OR 1/8" | 52         |
| 0226005201 | End plate without OR 1/4" | 57         |

③ END PLATE WITH OR



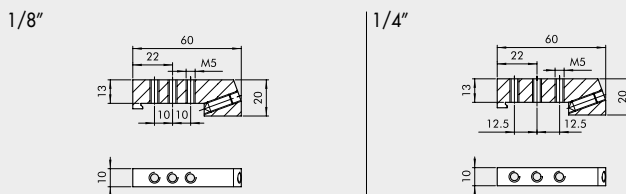
| Code       | Description            | Weight [g] |
|------------|------------------------|------------|
| 0226004200 | End plate with OR 1/8" | 74         |
| 0226005200 | End plate with OR 1/4" | 80         |

④ INTERMEDIATE PART FOR UPPER FEED



| Code       | Description                           | Weight [g] |
|------------|---------------------------------------|------------|
| 0226004300 | Intermediate part for upper feed 1/8" | 93         |
| 0226005300 | Intermediate part for upper feed 1/4" | 109        |

⑤ ADAPTER FOR OMEGA BAR BASES (DIN EN 50022)



| Code       | Description  | Weight [g] |
|------------|--------------|------------|
| 0226004600 | Adapter 1/8" | 46         |
| 0226005600 | Adapter 1/4" | 46         |

N.B.: Also for multiple bases

VALVES

ACCESSORIES FOR VALVES SERIES 70

⑥ INTERMEDIATE DIAPHRAM

1/8"



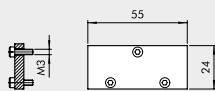
1/4"



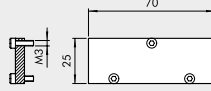
| Code       | Description                 | Weight [g] |
|------------|-----------------------------|------------|
| 0226004000 | Intermediate diaphragm 1/8" | 2          |
| 0226005000 | Intermediate diaphragm 1/4" | 3          |

⑦ BLANKING PLATE FOR UNUSED POSITIONS

1/8"



1/4"



| Code       | Description         | Weight [g] |
|------------|---------------------|------------|
| 0226004500 | Blanking plate 1/8" | 23         |
| 0226005500 | Blanking plate 1/4" | 29         |

⑧ PLUG FOR 3/2

1/8"

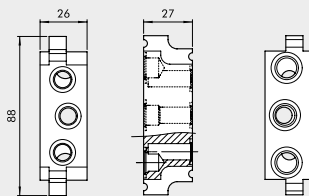


1/4"



| Code       | Description             | Weight [g] |
|------------|-------------------------|------------|
| 0226004001 | Blanking plate 3/2 1/8" | 2          |
| 0226005001 | Blanking plate 3/2 1/4" | 4          |

⑨ DIMENSIONAL ADAPTER 1/8" - 1/4"



| Code       | Description        | Weight [g] |
|------------|--------------------|------------|
| 0226006600 | Adapter 1/8", 1/4" | 177        |

NOTES

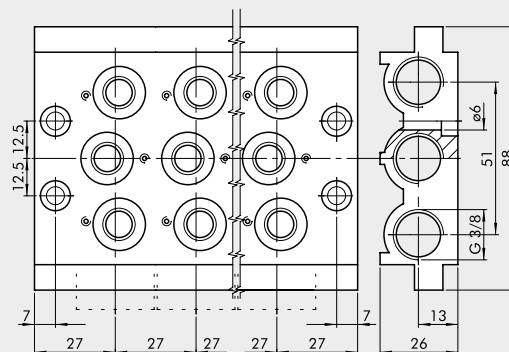
**ACCESSORIES: MULTIPLE BASES FOR SERIES 70 PNV-SOV VALVES**

**MULTIPLE BASE 1/8"**



| Code       | Description      | Abbrev.   | Weight [g] |
|------------|------------------|-----------|------------|
| 0223000201 | 2-position base  | CVM-18-02 | 236        |
| 0223000301 | 3-position base  | CVM-18-03 | 321        |
| 0223000401 | 4-position base  | CVM-18-04 | 407        |
| 0223000501 | 5-position base  | CVM-18-05 | 494        |
| 0223000601 | 6-position base  | CVM-18-06 | 587        |
| 0223000701 | 7-position base  | CVM-18-07 | 711        |
| 0223000801 | 8-position base  | CVM-18-08 | 760        |
| 0223000901 | 9-position base  | CVM-18-09 | 842        |
| 0223001001 | 10-position base | CVM-18-10 | 923        |

**MULTIPLE BASE 1/4"**



| Code       | Description      | Abbrev.   | Weight [g] |
|------------|------------------|-----------|------------|
| 0224000201 | 2-position base  | CVM-14-02 | 296        |
| 0224000301 | 3-position base  | CVM-14-03 | 406        |
| 0224000401 | 4-position base  | CVM-14-04 | 515        |
| 0224000501 | 5-position base  | CVM-14-05 | 624        |
| 0224000601 | 6-position base  | CVM-14-06 | 733        |
| 0224000701 | 7-position base  | CVM-14-07 | 845        |
| 0224000801 | 8-position base  | CVM-14-08 | 956        |
| 0224000901 | 9-position base  | CVM-14-09 | 1055       |
| 0224001001 | 10-position base | CVM-14-10 | 1086       |

**GASKET KIT**



| Code       | Description              | Weight [g] |
|------------|--------------------------|------------|
| 0226004701 | Gasket kit for 1/8" base | 5          |
| 0226005701 | Gasket kit for 1/4" base | 5          |

VALVES

ACCESSORIES FOR VALVES SERIES 70