

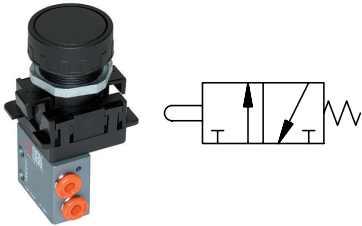
3/2-way miniature valve

manually operated, for panel mounting

PLUS

Art. No. 106400

Type No. 512.114



Exemplary illustration

Monostable (non-latching) and bistable (latching) versions available.

Technical data

| | |
|-------------------------|--|
| Operating pressure | 0.5 - 10 bar |
| Valve body | Aluminium |
| Medium | Filtered compressed air with or without lubrication. If lubricated, then continuous. |
| Sealant | NBR |
| Spring | Stainless steel |
| Flow rate measurement 1 | Flow rate at 6 bar and Δp 0.5 bar |
| Flow rate 1 | 35 NI/min |
| Flow rate measurement 2 | Flow rate at 6 bar and Δp 1.0 bar |
| Flow rate 2 | 60 NI/min |
| Connection | M5 female thread on side |
| Function | 3/2 NC |
| Operation | Monostable |
| Disc | Red |
| Series | Valves series VME |

Commercial data

| | |
|-------------------------|------------------|
| Customs tariff number | 84818079 |
| Country of origin | IT |
| eCl@ss 5.1.4 | 27291801 |
| eCl@ss 9.0 | 27291390 |
| UNSPSC_Code_v190501 | 40141603 |
| UNSPSC_CodeDesc_v190501 | Pneumatic valves |

Material informations

| | |
|----------------------------|--------------------|
| REACH SVHC1 substance name | Blei |
| CAS no. SVHC 1 | 7439-92-1 |
| RoHS materials notice | RoHS konform |
| REACH Info | enthält SVHC Stoff |

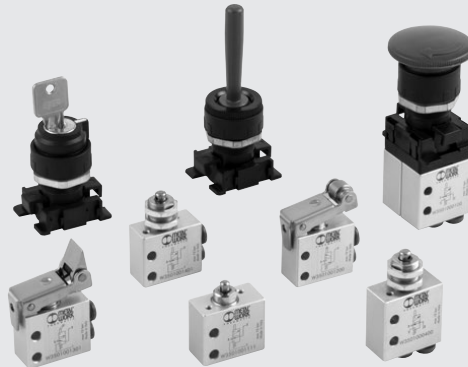
B1

MINIVALVES, MECHANICALLY AND HAND OPERATED SERIES VME

VALVES

MINIVALVES, MECHANICALLY AND HAND OPERATED SERIES VME

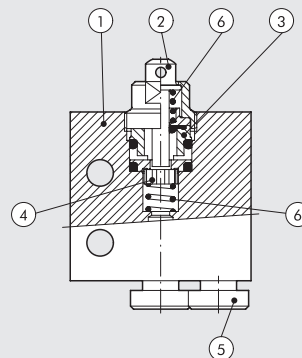
- Minivalves with 3/2 NO NC poppet,
- Installation in any position
- Push-in fittings for pipe Ø 4 mm and M5 on the valve body
- Low actuation force
- Rapid, accurate signal
- Mechanical actuation
- The 2 places adapter allows manual actuation of 1 or 2 VME valves with manual Ø 22 panel actuators. Thus it is possible to obtain 3/2, 5/2, 5/3 open centre and 5/3 pressure centre pneumatic functions.
- On request, it is possible to place a NC-NO electric switch next to VME valve for mixed solenoid/pneumatic signals.



| TECHNICAL DATA | |
|------------------------------------|---|
| Valve fitting port | Push-in fitting for pipe diam. 4 and M5 (axial or side) |
| Fluid | Filtered air without lubrication; lubrication, if used, must be continuous |
| Type | With poppet |
| Versions | Mechanical and manual |
| Operators: | With Plunger – Plunger for wall-mounting – Roller lever – Unidirectional roller lever |
| • mechanical | Depending on the type of actuation panel selected |
| • manual | 0.5 to 10 |
| Operating pressure | bar |
| Operating temperature range | °C |
| Nominal diameter | mm |
| Conductance C | Nl/min · bar |
| Critical ratio b | bar/bar |
| Flow rate at 6 Bar ΔP 0.5 Bar | Nl/min |
| Flow rate at 6 Bar ΔP 1 Bar | Nl/min |
| Actuation force – Plunger at 6 Bar | N |
| Recommended lubricant | ISO and UNI FD22 |
| Installation | In any position |
| Compatibility with oils | See chapter Z1 |

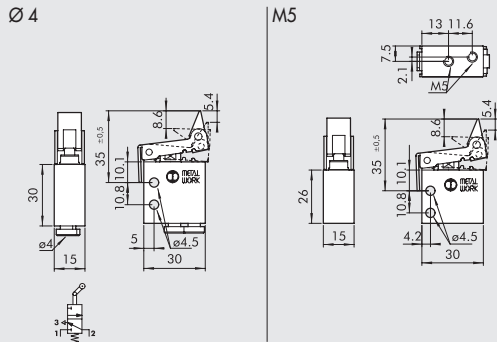
COMPONENTS

- ① VALVE BODY: Aluminium
- ② BUTTON: chemically nickel-plated brass
- ③ DISTANCE PLATES: Brass
- ④ GASKETS: NBR
- ⑤ PUSH-IN FITTING CARTRIDGES: stainless steel, brass and plastic
- ⑥ SPRINGS: stainless steel



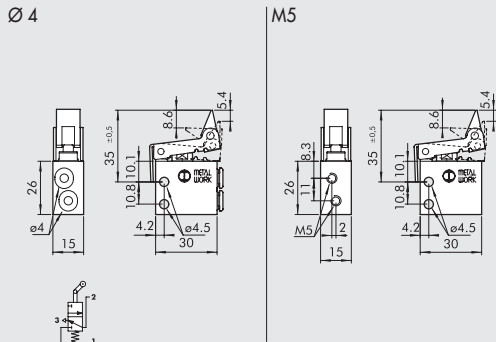
B1.4

UNIDIRECTIONAL ROLLER LEVER, 3/2 NC - AXIAL FITTINGS



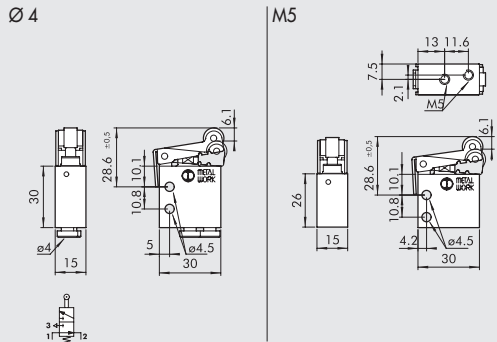
| Code | Description | Weight [g] |
|-------------|----------------|------------|
| W3501000300 | VME1-03 NC Ø 4 | 60 |
| W3501000311 | VME1-13 NC M5 | 54 |

UNIDIRECTIONAL ROLLER LEVER, 3/2 NC - SIDE FITTINGS



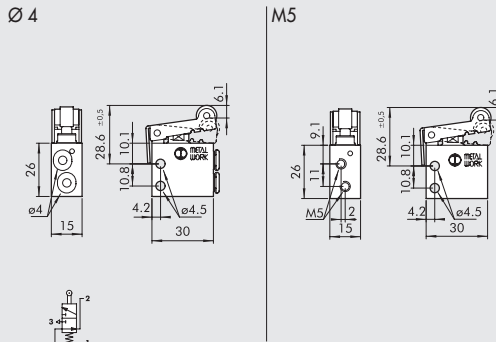
| Code | Description | Weight [g] |
|-------------|----------------|------------|
| W3501001301 | VME2-03 NC Ø 4 | 52 |
| W3501001311 | VME2-13 NC M5 | 52 |

ROLLER LEVER, 3/2 NO - AXIAL FITTINGS



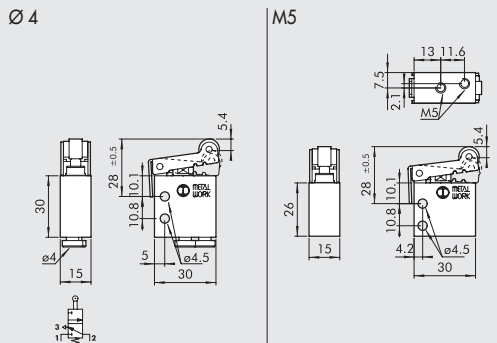
| Code | Description | Weight [g] |
|-------------|----------------|------------|
| W3501000201 | VME1-05 NO Ø 4 | 58 |
| W3501000210 | VME1-15 NO M5 | 52 |

ROLLER LEVER, 3/2 NO - SIDE FITTINGS



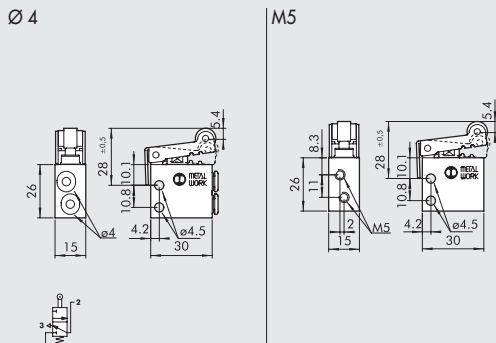
| Code | Description | Weight [g] |
|-------------|----------------|------------|
| W3501001200 | VME2-05 NO Ø 4 | 50 |
| W3501001210 | VME2-15 NO M5 | 50 |

ROLLER LEVER, 3/2 NC - AXIAL FITTINGS



| Code | Description | Weight [g] |
|-------------|----------------|------------|
| W3501000200 | VME1-02 NC Ø 4 | 56 |
| W3501000211 | VME1-12 NC M5 | 50 |

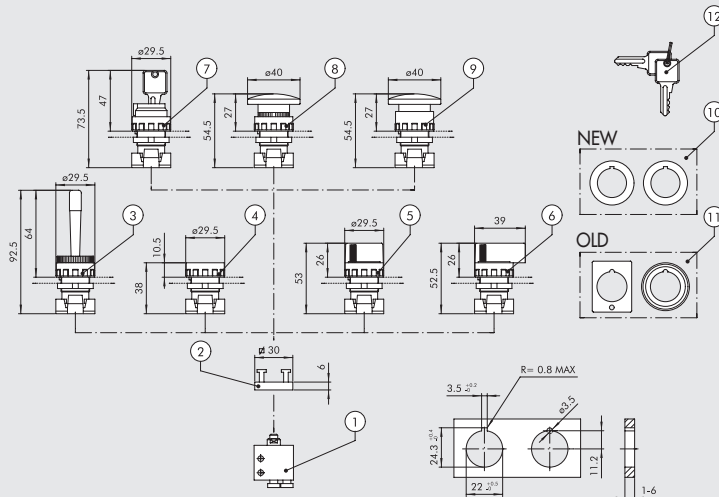
ROLLER LEVER, 3/2 NC - SIDE FITTINGS



| Code | Description | Weight [g] |
|-------------|----------------|------------|
| W3501001201 | VME2-02 NC Ø 4 | 52 |
| W3501001211 | VME2-12 NC M5 | 50 |






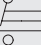

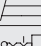
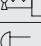
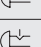
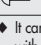
MANUAL VME VALVES – ASSEMBLY DIAGRAM
NOTES:

- For 5/2 pneumatic operation, assemble a 3/2 NC plunger valve and a 3/2 NO one on the adapter.
- For 5/3 pneumatic operation with open centres, assemble two 3/2 NC plunger valves on the adapter.
- For 5/3 pneumatic operation with pressure centres, assemble two 3/2 NO plunger valves on the adapter.


VALVES

MINIVALVES, MECHANICALLY AND HAND OPERATED SERIES VME

ORDERING CODES

| Symbol | Reference | Code | Description | Weight [g] |
|---|-----------|-------------|---|------------|
|  | ① | W3501000100 | 3/2 NC Axial fittings Ø 4 | 42 |
| | | W3501000111 | 3/2 NC Axial fittings M5 | 36 |
| | | W3501001101 | 3/2 NC Side fittings Ø 4 | 34 |
| | | W3501001111 | 3/2 NC Side fittings M5 | 34 |
|  | ① | W3501000101 | 3/2 NO Axial fittings Ø 4 | 42 |
| | | W3501000110 | 3/2 NO Axial fittings M5 | 36 |
| | | W3501001100 | 3/2 NO Side fittings Ø 4 | 34 |
| | | W3501001110 | 3/2 NO Side fittings M5 | 34 |
| | ② | 0351000050 | 2 places adaptor thickness 6.8 mm | 5 |
|  | ③ | W0351000015 | Red handler with horizontally pivoted lever | 25 |
|  | ④ | W0351000011 | Fat push button + 2 red/black coloured disks ◆ Bistable fat push button without disk | 15 |
|  | ⑤ | W0351000030 | Black selector short lever at 2 positions with return | 20 |
| | | W0351000031 | Black selector short lever at 2 positions | 20 |
|  | ⑤ | W0351000032 | Black selector short lever at 3 positions with return | 20 |
| | | W0351000033 | Black selector short lever at 3 positions | 20 |
|  | ⑥ | W0351000034 | Black selector long lever at 2 positions with return | 26 |
| | | W0351000035 | Black selector long lever at 2 positions | 26 |
|  | ⑥ | W0351000036 | Black selector long lever at 3 positions with return | 26 |
| | | W0351000037 | Black selector long lever at 3 positions | 26 |
|  | ⑦ | W0351000016 | 2 positions key selector with extractable key in 2 positions | 50 |
| | | W0351000018 | 2 positions key selector with extractable key in 0 | 50 |
|  | ⑧ | W0351000013 | Red mushroom-head push button Ø 40 | 27 |
| | | W0351000017 | Black mushroom-head push button Ø 40 | 27 |
|  | ⑨ | W0351000014 | Red mushroom-head push button with lock Ø 40 | 29 |
| ◆ It can't be supplied. As working replaced by selector with bistable short lever at 2 positions (⑤). | ⑩ | W0351000049 | ◆ Reducer from 30 to 22.5 mm | |
| ♣ Usable only with technopolymer body selectors. | ⑪ | W0351000050 | ♣ Adapter for bore Ø 30 G2326 | |
| ▲ Usable only with metal body selectors. | ⑫ | W0351000021 | ♣ Key for ESC selectors | |
| | | W0351000056 | Green disk for push button (④) | |

Accessories

| | Art. No. | Type No. |
|--|----------|----------|
| Plunger valve, 3/2-way, monostable, NC, G 1/8 | 106441 | 515.101 |
| Short wing lever, black, 2 positions, monostable | 106446 | KDH-2M |
| Short wing lever, black, 3 positions, monostable | 106448 | KDH-3M |
| Short wing lever, black, 2 positions, bistable | 106447 | KDH-2B |
| Short wing lever, black, 3 positions, bistable | 106449 | KDH-3B |
| Long wing lever, black, 2 positions, monostable | 106450 | LDH-2M |
| Long wing lever, black, 3 positions, monostable | 106452 | LDH-3M |
| Long wing lever, black, 2 positions, bistable | 106451 | LDH-2B |
| Long wing lever, black, 3 positions, bistable | 106453 | LDH-3B |
| Hand lever, red, monostable | 106445 | HH-M |
| Lockable switch, 2 pos., key can be withdrawn in any pos. | 106454 | V2SS-JS |
| Lockable switch, 2 pos., key can be withdrawn in normal pos. | 106455 | V2SS-GS |
| Mushroom pushbutton, red, monostable | 106456 | RPT-M |
| Mushroom pushbutton and emergency latch, red | 106457 | RPT-NR |
| 3/2-way miniature valve, Mechanical, Tappet, NO, M5 (side) | 106386 | 511.122 |

Spareparts

| | Art. No. | Type No. |
|---|----------|----------|
| Plunger valve, 3/2-way, NC, M5 female thread on side | 106388 | 511.132 |
| Adapter max. 2 valves, required for mounting on basic valve | 106443 | A2V |
| Pushbutton with red or black disc, monostable | 106444 | DK-M |