



Activated carbon filter

Size 2

FU 893

G 3/8

FU 894

G 1/2

0.005 mg/m³



Description

- **Activated carbon filter** for absorbing oil vapour (residual oil content $\geq 0.005 \text{ mg/m}^3$) from compressed air and gases. A **pre-filter and micro-filter** must be installed upstream.
- "KP200" or "WK 102" joiner set for seamless integration with other devices.

Characteristics

Type	FU 893	FU 894
Port (thread)	G 3/8	G 1/2
Type of construction	Activated carbon filter	
Medium	Compressed air, neutral gases	
Mounting position	Vertical, bowl at bottom	
Temperature Medium / ambient	Max. 50°C	
Input pressure Pin - With manual drain	Max. 16 bar	
Filter rating (efficiency)	0.005 mg/m ³ (Class 0 / ISO 8573-1)	
Bowl capacity	49 cm ³	
Condensate drain	--	
Weight	0.315 kg	
Mounting type	Bracket, wall mounting	

Materials

Part	Material
Head piece	IXEF1022® / ABS
Bowl	Polycarbonate
Bowl guard	Polyamide
Metal bowl	Die-cast zinc
O-rings 37.5 x 2.5	NBR
Filter element M 22x1	Activated carbon / Al
O-ring 20 x 2	NBR70
Threaded plates	Die-cast zinc Z 410

Ordering information

- The filters are delivered in single packs

Options
NPTF ports

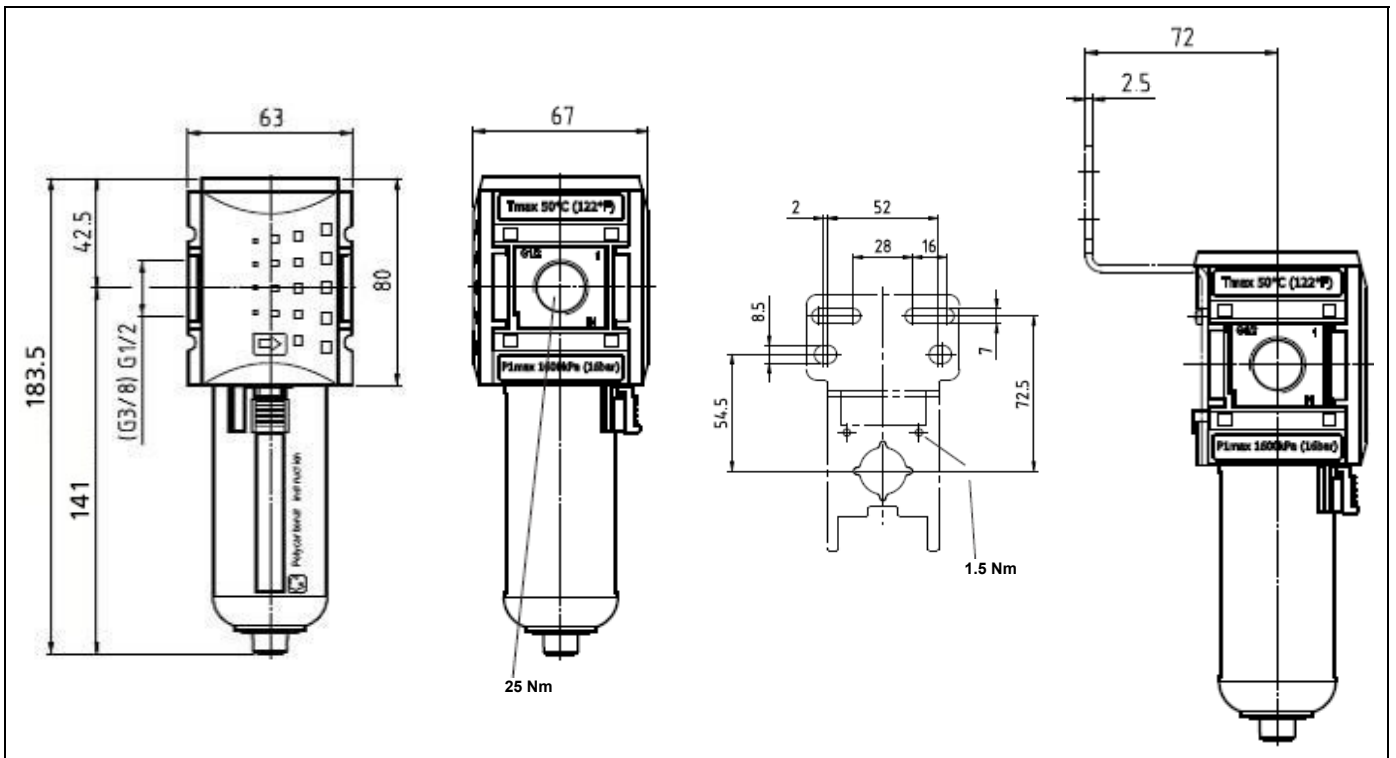
Accessories

Designation	Art. No.
Mounting bracket, incl. screws	H 852
Joiner set with wall bracket	WK 102
Joiner set	KP 200
Polycarbonate bowl with bowl guard / filter	BSF 12
Metal bowl / filter	MF 12

Spare parts

Designation	Art. No.
Filter element M 22x1	A 894
O-ring 37.5 x 2.5	3725.4.9
O-ring 20 x 2	202.4.9

Dimensions



Flow rates

Flow characteristic

