



**Activated carbon filter**

Size 1

<b>FU 891</b>		<b>FU 892</b>	
<b>G 1/4</b>		<b>G 3/8</b>	
<b>Residual oil content 0.005 mg/m<sup>3</sup></b>			

**Description**

**Activated carbon filter** for adsorbing oil vapour from compressed air and gases.

**Must be combined** either with a pre-filter and micro-filter (without a dryer) or with a micro-filter (with dryer) in the "Futura" series.

**Characteristics**

Type	FU 891	FU 892
Port (thread)	G 1/4	G 3/8
Type of construction	Activated carbon filter	
Medium	Compressed air, neutral gases	
Mounting position	Vertical	
Temperature Medium / ambient	Max. 50°C	
Input pressure Pin	Max. 16 bar	
Residual oil content	< 0.005 mg/m <sup>3</sup> Class 0 acc. to DIN ISO 8573-1	
Bowl capacity	12 cm <sup>3</sup>	
Condensate drain	Not required	
Flow direction	From the outside to the inside	
Mounting type	Bracket, wall mounting	

**Materials**

Part	Material:
Head piece	PA66 GF60
Bowl	Polycarbonate
Cover	Schulaform®
Bowl guard	Polyamide
Metal bowl	Die-cast zinc
O-rings	NBR
Filter element	Activated carbon / Al
Threaded plate	Die-cast zinc

**Ordering information**

- The filters are delivered in single packs

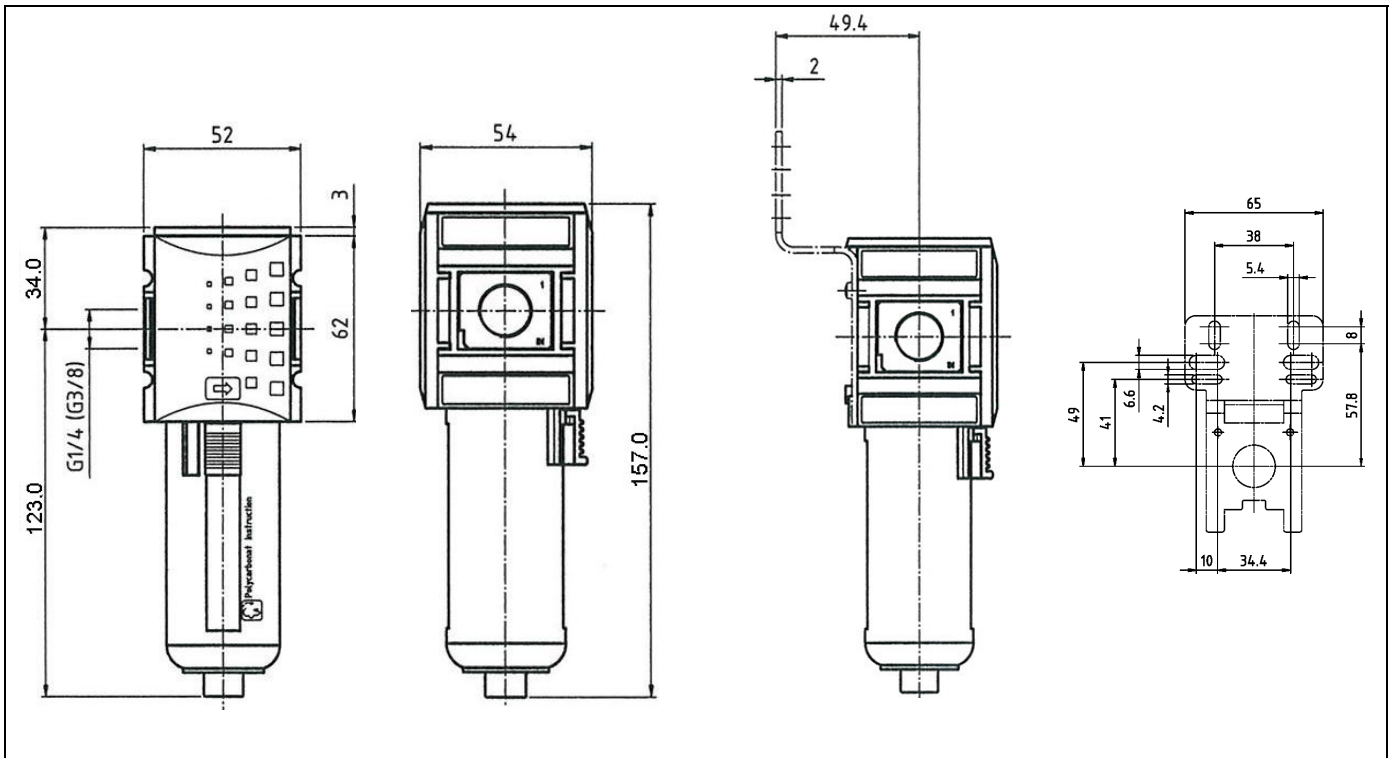
**Accessories**

Designation	Art. No.
Mounting bracket, incl. screws	H 850
Joiner set with wall bracket	WK 100
Joiner set	KP 100
Polycarbonate bowl with bowl guard	BSA 14
Metal bowl	MA 14

**Spare parts**

Designation	Art. No.
Filter element	A 23/70
Wall bracket with connection thread G 1/4	WK 101-14
Wall bracket with connection thread G 3/8	WK 101-38

**Dimensions**



**Flow rates**

**Flow characteristic**

