

BEST SELLERS

COMPACT COMPRESSED AIR TECHNOLOGY



**GENUINE STARS
WITH GENUINE
QUALITIES.**

CONTENTS

Maintenance devices	3
Pressure measurement	4
Ball valves	5
Hose couplings	6
Safety couplings	9
Standard screw fittings	12
Push-in fittings	14
Bite-type screw fittings	16
Fittings	17
Assortment boxes	18
Hoses and accessories	19
Blow guns and safety nozzles	24
Handheld tyre gauge	26
Industrial adhesives and accessories	27

We accept no responsibility for the information in this catalog. We reserve the right to make alterations without prior notice. **IMPRINT** Editor: RIEGLER & Co. KG Text, concept and design: Beaufort 8 GmbH Seriatore, RIEGLER & Co. KG **COPYRIGHTS** All the texts and images published in this catalog are copyright protected. This also applies to audio material, drawings, and drafts. It likewise applies to databases and similar facilities. Outside the strict limitations of the Copyright Act, without the written consent of RIEGLER & Co. KG no part of this catalog in any form may be reproduced, distributed, publicly circulated or made accessible, be included in data bases or stored on electronic data media or in any other way be electronically reproduced, distributed, or used.

SERVICE DEVICES »MULTIFIX« SERIES

Pressure regulator

incl. pressure gauge

Pre-pressure independent, reversible diaphragm pressure regulator with secondary venting. The pressure setting can be locked by pressing in the hand wheel.

Max. input pressure 16 bar
Control range 0.5 – 10 bar

Pressure regulator »multifix«				
Art. No.	Type No.	Thread	Flow rate l/min	BG
100417	R 11-10	G 1/4	1500	1
100421	R 12-10	G 3/8	1500	1
100425	R 33-10	G 1/2	6000	3

Various accessories and spare parts on request.



Service units

two-part with polycarbonate container and drip cap made of PA

Two-part service unit made up of one pre-pressure independent, reversible diaphragm pressure regulator with secondary venting in combination with a centrifugal separator and a proportional lubricator.

Filter rating 5 µm
Max. input pressure 16 bar
Control range 0.5 – 10 bar



Service unit »multifix«				
Art. No.	Type No.	Thread	Flow rate l/min	BG
100566	CL 11 K-HA	G 1/4	1100	1
100567	CL 12 K-HA	G 3/8	1100	1
100568	CL 33 K-HA	G 1/2	3500	3

Various accessories and spare parts on request.

Filter regulator

with polycarbonate container and pressure gauge

Pre-pressure independent, reversible diaphragm pressure regulator with secondary venting in combination with a centrifugal separator.

Filter rating 5 µm
Max. input pressure 16 bar
Control range 0.5 – 10 bar



Filter regulator »multifix«				
Art. No.	Type No.	Thread	Flow rate l/min	BG
100470	C 11-K 10-HA	G 1/4	1500	1
100474	C 12-K 10-HA	G 3/8	1500	1
100478	C 33-K 10-HA	G 1/2	3500	3

Various accessories and spare parts on request.

Pneumatic special oil

High performance lubricating oil for hydraulic and pneumatic systems of type HVLP acc. to DIN 51524.T3

The high viscosity index of 190 covers several viscosity classes with quality. Smooth functioning of the application is thus even guaranteed at low temperatures. Good corrosion protection, outstanding resistance to ageing and excellent wear protection guarantee a high degree of efficiency.

Temperature range -35 °C to 85 °C

Pneumatic special oil		
Art. No.	Type no.	Description
101135	32	2.5 litre (canister)



PRESSURE MEASUREMENT

Standard pressure gauges

with plastic housing and dual scale in bar/psi

Suitable for gaseous, liquid, not high viscosity and non-crystallising media, which do not attack copper alloys.

Housing	Plastic
Front glass	Transparent plastic
Max. medium temperature	60 °C
Ambient temperature	-20 °C to 60 °C
Diameter	63 mm
Connection	G 1/4

Standard pressure gauge, connection radial on bottom					
Art. No.	Type No.	Type	Accuracy class	Measuring range (bar)	Measuring range (psi)
101664	114-KD	111.10	1.6	0–2.5	0–36
101665	115-KD	111.10	1.6	0–4	0–58
101666	116-KD	111.10	1.6	0–6	0–86
101667	117-KD	111.10	1.6	0–10	0–145
101668	118-KD	111.10	1.6	0–16	0–230
101669	119-KD	111.10	1.6	0–25	0–360



117-KD

Standard pressure gauge, connection on rear, central					
Art. No.	Type No.	Type	Accuracy class	Measuring range (bar)	Measuring range (psi)
101222	214-KD	111.12	1.6	0–2.5	0–36
101223	215-KD	111.12	1.6	0–4	0–58
101224	216-KD	111.12	1.6	0–6	0–86
101244	217-KD	111.12	1.6	0–10	0–145
101398	218-KD	111.12	1.6	0–16	0–230
101462	219-KD	111.12	1.6	0–25	0–360



218-KD

Glycerine-filled pressure gauges

with CrNi-steel housing and single scale in bar

For measurement locations with high dynamic pressure loads and vibrations. Suitable for gaseous, liquid, not high viscosity and non-crystallising media, which do not attack copper alloys.

Housing	CrNi-Stahl, bright
Front glass	Transparent plastic
Max. medium temperature	60 °C
Ambient temperature	-20 °C to 60 °C
Diameter	63 mm
Connection	G 1/4



714-C



812-C

Glycerine pressure gauge, connection radial on bottom			
Art. No.	Type No.	Accuracy class	Measuring range (bar)
102111	704-C	1.6	0–2.5
102112	705-C	1.6	0–5
102113	706-C	1.6	0–6
102114	707-C	1.6	0–10
102115	708-C	1.6	0–16
102116	709-C	1.6	0–25

Glycerine pressure gauge, connection on rear, central			
Art. No.	Type No.	Accuracy class	Measuring range (bar)
102146	804-C	1.6	0–2.5
102147	805-C	1.6	0–4
102148	806-C	1.6	0–6
102149	807-C	1.6	0–10
102150	808-C	1.6	0–16
102151	809-C	1.6	0–25

BALL VALVES

Ball valves

basic version, with full bore

Ball seal	PTFE
Hand lever	Galvanised steel, painted red
Operating temperature	-20 °C to 150 °C (no steam)
Thread material	Nickel-plated brass



329.04-R



329.44-R

Ball valve with hand lever, female/female thread

Art. No.	Type No.	Thread	PN (bar)	Length (mm)
103093	329.02-R	G 1/4	50	44.4
103094	329.03-R	G 3/8	50	44.4
103095	329.04-R	G 1/2	50	50.5
103096	329.05-R	G 3/4	40	57.5
103097	329.06-R	G 1	40	70.0

Ball valve with butterfly handle, female/female thread

Art. No.	Type No.	Thread	PN (bar)	Length (mm)
103111	329.42-R	G 1/4	50	44.4
103112	329.43-R	G 3/8	50	44.4
103113	329.44-R	G 1/2	50	50.5
103114	329.45-R	G 3/4	40	57.5
103115	329.46-R	G 1	40	70.0

Mini ball valves

with smooth surface

Material	Nickel-plated brass
Ball seal	PTFE
Rotating handle	Plastic
Medium temperature	-10 °C to 70 °C
Max. operating pressure	10 bar



375.01

Ball valves with steel lever

standard type - lightweight - with full bore

Material	Nickel-plated brass
Ball seal	PTFE
Hand lever	Steel with plastic coating
Operating temperature	-15 °C to 90 °C
Thread material	Brass with a bare metal surface



330.04-R

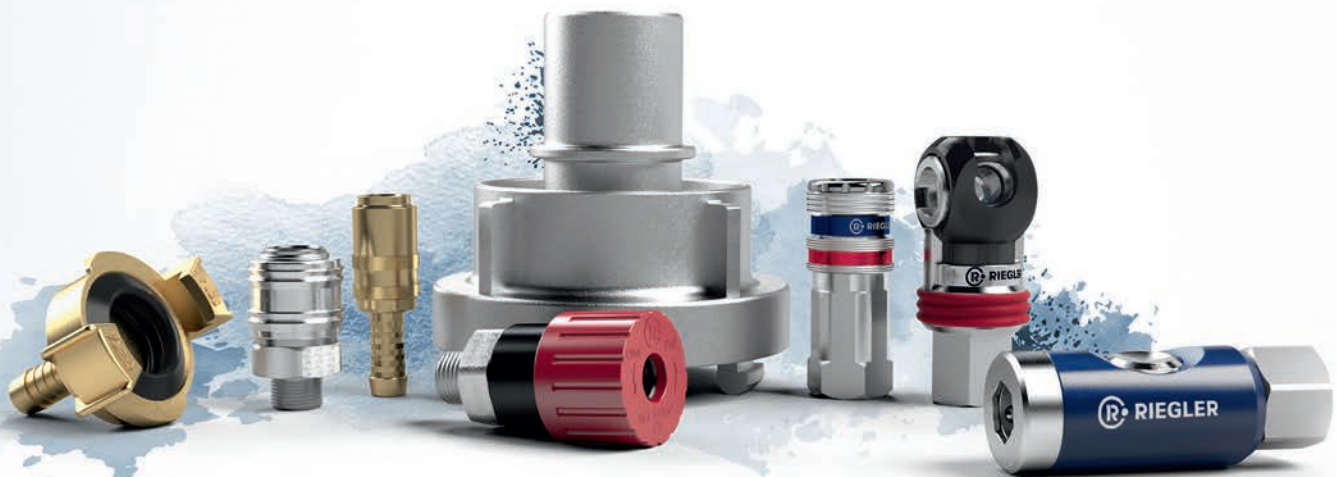
Mini-ball valve with rotary handle

Art. No.	Type No.	Thread	Length (mm)
103339	375.00	G 1/8 IG	39.0
103340	375.01	G 1/4 IG	39.0
103341	375.02	G 3/8 IG	42.0
103342	375.02	G 1/2 IG	47.0
103343	375.10	G 1/8 IG/AG	39.0
103344	375.11	G 1/4 IG/AG	39.0
103345	375.22	G 3/8 IG/AG	40.0
103346	375.33	G 1/2 IG/AG	45.0
143656	375.51	G 1/4 AG	40.4
143657	375.52	G 3/8 AG	42.4
143658	375.53	G 1/2 AG	49.7

Ball valve with hand lever, female/female thread

Art. No.	Type No.	Thread	PN (bar)	Length (mm)
103167	330.02-R	G 1/4	63	46.0
103168	330.03-R	G 3/8	63	50.0
103169	330.04-R	G 1/2	40	50.0
103170	330.05-R	G 3/4	40	58.0
103171	330.06-R	G 1	40	69.0
103172	330.07-R	G 1 1/4	40	80.0
103173	330.08-R	G 1 1/2	40	91.5
103174	330.09-R	G 2	40	109.0
103175	330.10-R	G 2 1/2	40	133.0
103176	330.11-R	G 3	40	156.0

HOSE COUPLINGS



Quick disconnect couplings DN 7.2

»R26EMS« series, connect line type



Operating pressure (max. static without pulsation)	0 – 35 bar
Medium temperature	-20 °C to 100 °C
Flow rate	1000 l/min (air)
Material	Brass with a bare metal surface
Lock / spring / snap ring	Stainless steel
Sealant	NBR



Quick disconnect coupling DN 7.2, brass with a bare metal surface, male

Art. No.	Type No.	Connection
115612	243.01-E	G 1/4 ET
115614	243.02-E	G 3/8 ET
115616	243.03-E	G 1/2 ET

Quick disconnect coupling DN 7.2, brass with a bare metal surface, female

Art. No.	Type No.	Connection
115618	243.11-E	G 1/4 IT
115632	243.22-E	G 3/8 IT
115644	243.33-E	G 1/2 IT

Quick disconnect coupling DN 7.2, brass with a bare metal surface, with hose stem

Art. No.	Type No.	Connection
115646	243.44-E	I.D. 6
115648	243.45-E	I.D. 9
115650	243.46-E	I.D. 13

Stems for couplings DN 7.2 - 7.8

brass with a bare metal surface



243.06

Stem for couplings DN 7.2 - DN 7.8, brass with a bare metal surface

Art. No.	Type No.	Connection
107232	243.06	I.D. 6
107234	243.07	I.D. 9
107236	243.10	I.D. 13

Plugs for couplings DN 7.2 - DN 7.8

brass with a bare metal surface



243.50

243.55

Plug for couplings DN 7.2 - DN 7.8, brass with a bare metal surface, male

Art. No.	Type No.	Connection
107238	243.50	G 1/4 ET
107239	243.51	G 3/8 ET
107240	243.52	G 1/2 ET

Plug for couplings DN 7.2 - DN 7.8, brass with a bare metal surface, female

Art. No.	Type No.	Connection
107242	243.55	G 1/4 IT
107243	243.56	G 3/8 IT
107244	243.57	G 1/2 IT

Distributor

made of brass with a bare metal surface, with quick disconnect couplings DN 7.2, »R26EMS« series, connect line type

Operating pressure 0 – 35 bar
Medium temperature -20 °C to 100 °C
Material Brass with a bare metal surface



245.33-E



245.38-E

Distributor with 2 quick disconnect couplings DN 7.2, brass with a bare metal surface, male

Art. No.	Type No.	Connection	Comprising distributor	Couplings
117924	245.31-E	G 1/4 ET	G 3/8 IT	DN 7.2. G 3/8 ET
117925	245.32-E	G 3/8 ET	G 3/8 IT	DN 7.2. G 3/8 ET
117926	245.33-E	G 1/2 ET	G 1/2 IT	DN 7.2. G 1/2 ET

Plug for couplings DN 7.2 - DN 7.8, brass with a bare metal surface, female

Product no.	Type no.	Connection	Comprising distributor	Couplings
117927	245.36-E	G 1/4 ET	G 3/8 IT	DN 7.2. G 3/8 ET
117928	245.37-E	G 3/8 ET	G 3/8 IT	DN 7.2. G 3/8 ET
117929	245.38-E	G 1/2 ET	G 1/2 IT	DN 7.2. G 1/2 ET

Porting boxes

made of plastic, with quick disconnect couplings DN 7.2, »R26MS« series

Max. operating pressure 15 bar
Temperature range -10 °C to 50 °C
Housing Glass fibre reinforced plastic PA6 GF 30
Thread material Brass
Max. tightening torque brass thread 12 Nm
Max. tightening torque mounting holes 4 Nm
Width 120 mm



End porting box without through-hole thread, with standard couplings DN 7.2

Art. No.	Type No.	Inlet thread	Coupling
107275	EVDK12-2	G 1/2	2 x brass coupling
107276	EVDK12-3	G 1/2	3 x brass coupling
107277	EVDK34-2	G 3/4	2 x brass coupling
107278	EVDK34-3	G 3/4	3 x brass coupling



EVDK12-2

 You can find our assortment boxes on page 18!

Quick disconnect couplings DN 7.8

»R25ST« series

Single-sided blocking, high quality and robust quick disconnect coupling with high flow values.

Operating pressure	0 – 35 bar
Operating temperature	-20 °C to 100 °C
Flow rate	2000 l/min (air)
Material	Galvanized steel
Valve	Die-cast zinc (Zamak)
Spring / ball	Stainless steel
Sealant	NBR



Quick disconnect coupling DN 7.8, galvanised steel, male

Art. No.	Type No.	Connection
141512	244.61-E	R 1/4 ET
141513	244.62-E	R 3/8 ET
141514	244.63-E	R 1/2 ET

Quick disconnect coupling DN 7.8, galvanised steel, female

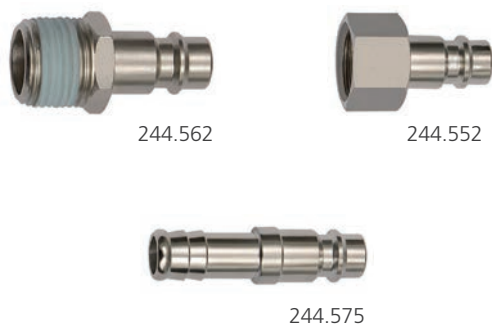
Art. No.	Type No.	Connection
141515	244.71-E	G 1/4 IT
141516	244.72-E	G 3/8 IT
141517	244.73-E	G 1/2 IT

Quick disconnect coupling DN 7.8, galvanised steel, with hose stem

Art. No.	Type No.	Connection
141518	244.81-E	I.D. 6
141520	244.85-E	I.D. 9
141522	244.84-E	I.D. 13

Stems and plugs for couplings DN 7.2 - DN 7.8

galvanized steel



Stem for couplings DN 7.2 - DN 7.8, galvanised steel

Art. No.	Type No.	Connection
141532	244.571	I.D. 6
141534	244.573	I.D. 9
141536	244.575	I.D. 13

Plug for couplings DN 7.2 - DN 7.8, galvanised steel, male with thread coating

Art. No.	Type No.	Connection
141546	244.561	R 1/4 ET
141547	244.562	R 3/8 ET
141548	244.563	R 3/8 ET

Plug for couplings DN 7.2 - DN 7.8, galvanised steel, female

Art. No.	Type No.	Connection
141550	244.551	G 1/4 IT
141551	244.552	G 3/8 IT
141552	244.553	G 1/2 IT

SAFETY COUPLINGS

Pushbutton safety coupling DN 7.4

»R244AL« series, swivel type

High quality, robust and long-lifetime quick connect coupling in a safety design that can be operated with one hand. The potential „whiplash effect“ is prevented and the operating personnel is protected from injury. The safety version meets ISO standard DIN EN ISO 4414.

Max. operating pressure	12 bar
Medium temperature	-20 °C to 70 °C
Flow rate	1600 l/min (air)
Housing	Aluminium, anodised
Button / valve	Hardened and galvanized steel
Internal parts	Stainless steel 1.4404
Threaded piece	Nickel-plated brass
Sealant	NBR



Pushbutton safety coupling DN 7.4, male, swivel type

Art. No.	Type No.	Connection
107565	244.11-D	G 1/4 ET
107566	244.12-D	G 3/8 ET
107567	244.13-D	G 1/2 ET

Pushbutton safety coupling DN 7.4, female, swivel type

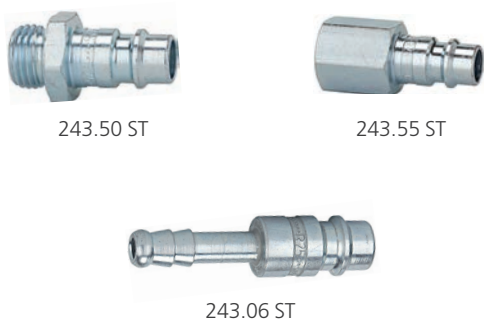
Art. No.	Type No.	Connection
107568	244.21-D	G 1/4 IT
107569	244.22-D	G 3/8 IT
107570	244.23-D	G 1/2 IT

Pushbutton safety coupling DN 7.4, with hose stem, swivel type

Art. No.	Type No.	Connection
107571	244.31-D	I.D. 6
107573	244.32-D	I.D. 9
107575	244.33-D	I.D. 13

Stems and plugs for couplings DN 7.2 - DN 7.8

hardened and galvanized steel



Stem for couplings DN 7.2 - DN 7.8, hardened, galvanised steel

Art. No.	Type No.	Connection
107541	243.06 ST	I.D. 6
107543	243.07 ST	I.D. 9
107545	243.10 ST	I.D. 13

Plug for couplings DN 7.2 - DN 7.8, hardened, galvanised steel, male

Art. No.	Type No.	Connection
107547	243.50 ST	G 1/4 ET
107548	243.51 ST	G 3/8 ET
107549	243.52 ST	G 1/2 ET

Plug for couplings DN 7.2 - DN 7.8, hardened, galvanised steel, female

Art. No.	Type No.	Connection
107551	243.55 ST	G 1/4 IT
107552	243.56 ST	G 3/8 IT
107553	243.57 ST	G 1/2 IT

Porting boxes

plastic, with pushbutton-type safety couplings
DN 7.4, »R244AL« series

Max. operating pressure	12 bar
Medium temperature	-10 °C to 50 °C
Housing	Glass fibre reinforced plastic PA6 GF 30
Thread material	Brass
Max. tightening torque brass thread	12 Nm
Max. tightening torque mounting holes	4 Nm
Width	156 mm



End distributor socket without through threads, with push button safety coupling I.D. 7.4

Art. No.	Type No.	Inlet thread	Coupling
107576	EVDS12-2	G 1/2	2 x Safety coupling
107577	EVDS12-3	G 1/2	3 x Safety coupling
107578	EVDS34-2	G 3/4	2 x Safety coupling
107579	EVDS34-3	G 3/4	3 x Safety coupling



EVDS12-2

Porting boxes

made of plastic

1-, 2- or 3-fold distributor sockets made of high strength, glass fibre reinforced plastic (PA6 GF 30) with large range of applications.

Temperature range	-10 °C to 50 °C
Max. operating pressure	15 bar
Housing	Glass fibre reinforced plastic PA6 GF 30
Threaded insert	Brass

End porting box without through-hole thread, PN 15

Art. No.	Type No.	Inlet thread	Connecting thread
112613	EVD12-1	G 1/2	1 x G 1/2
112614	EVD12-2	G 1/2	2 x G 1/2
112615	EVD12-3	G 1/2	3 x G 1/2
112616	EVD34-1	G 3/4	1 x G 1/2
112617	EVD34-2	G 3/4	2 x G 1/2
112618	EVD34-3	G 3/4	3 x G 1/2



EVD12-1



EVD12-2

Through porting box with through-hole thread, PN 15

Art. No.	Type No.	Inlet thread	Connecting thread	Through-hole thread
112619	DVD12-1	G 1/2	1 x G 1/2	G 1/2
112620	DVD12-2	G 1/2	2 x G 1/2	G 1/2
112621	DVD12-3	G 1/2	3 x G 1/2	G 1/2
112622	DVD34-1	G 3/4	1 x G 1/2	G 3/4
112623	DVD34-2	G 3/4	2 x G 1/2	G 3/4
112624	DVD34-3	G 3/4	3 x G 1/2	G 3/4



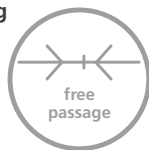
EVD12-3

Swing safety couplings DN 7.2

»R-SC/C« series

Swing safety coupling with free passage. This coupling meets ISO standard DIN EN ISO 4414, EN 983.

Operating pressure	max. 25 bar / max. 16 bar when attaching / detaching
Medium temperature	-20 °C bis 100 °C
Flow rate	2300 l/min (air)
Housing	Steel, QPQ treated
Sleeve	Die-cast zinc, nickel-plated, red rubber coated
Threaded piece	Galvanised steel
Sealant	NBR



424.11-SCH



424.01-SCH



424.22-SCH



424.34-SCH

Swing safety coupling DN 7.2, male

Art. No.	Type No.	Connection
141657	424.11-SCH	G 1/4 ET
141658	424.12-SCH	G 3/8 ET
141659	424.13-SCH	G 1/2 ET

Swing safety coupling DN 7.2, female

Art. No.	Type No.	Connection
141651	424.01-SCH	G 1/4 IT
141652	424.02-SCH	G 3/8 IT
141653	424.03-SCH	G 1/2 IT

Swing safety coupling DN 7.2, with hose stem

Art. No.	Type No.	Connection
141663	424.22-SCH	D.N. 8
141664	424.24-SCH	D.N. 10
141665	424.25-SCH	D.N. 13

Swing safety coupling DN 7.2, with hose connector

Art. No.	Type No.	Connection
141666	424.34-SCH	Hose connection 8x12
141667	424.35-SCH	Hose connection 11x16

Stems and plugs for couplings DN 7.2

hardened, galvanised steel



424.52



424.61



424.74

Stem for couplings DN 7.2, hardened, galvanised steel

Art. No.	Type No.	Connection
141676	424.72	D.N. 8
141677	424.74	D.N. 10
141678	424.75	D.N. 13

Plug for couplings DN 7.2, hardened, galvanised steel, male

Art. No.	Type No.	Connection
141668	424.61	G 1/4 ET
141669	424.62	G 3/8 ET
157163	424.63	G 1/2 ET

Plug for couplings DN 7.2, hardened, galvanised steel, female

Art. No.	Type No.	Connection
141672	424.51	G 1/4 IT
141673	424.52	G 3/8 IT
159872	424.53	G 1/2 IT

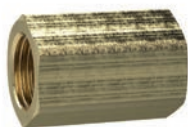
STANDARD SCREW FITTINGS

Max. working pressure 25 bar
 Max. operating temperature 150 °C
 Material Brass CW614N



Sockets

brass



MS252MU14

Socket with outer hex		
Art. No.	Type No.	Thread
136123	MS252MUM5	M5
136124	MS252MU18	G 1/8
136125	MS252MU14	G 1/4
136126	MS252MU38	G 3/8
136127	MS252MU12	G 1/2
136128	MS252MU34	G 3/4
136129	MS252MU1	G 1

Screw plugs

brass



MS290SK14

Hexagon head screw plug		
Art. No.	Type No.	Thread
136085	MS290SKM5	M5 hexagon head
136086	MS290SK18	G 1/8 hexagon head
136087	MS290SK14	G 1/4 hexagon head
136088	MS290SK38	G 3/8 hexagon head
136089	MS290SK12	G 1/2 hexagon head
136090	MS290SK34	G 3/4 hexagon head

Male hose fittings

brass



MS2391404

Reducing nipples

brass



MS251K1418

Male hose fitting with parallel male thread

Art. No.	Type No.	Thread	For hose mm
130981	MS2391804	G 1/8	LW 4
130984	MS2391806	G 1/8	LW 6
130985	MS2391808	G 1/8	LW 8
130986	MS2391809	G 1/8	LW 9
132482	MS2391810	G 1/8	LW 10
130987	MS2391404	G 1/4	LW 4
130988	MS2391406	G 1/4	LW 6
130989	MS2391408	G 1/4	LW 8
130990	MS2391409	G 1/4	LW 9
130991	MS2391410	G 1/4	LW 10
132483	MS2391412	G 1/4	LW 12
130992	MS2391413	G 1/4	LW 13
130993	MS2393804	G 3/8	LW 4
131024	MS2393806	G 3/8	LW 6
130996	MS2393808	G 3/8	LW 8
130997	MS2393809	G 3/8	LW 9
130998	MS2393810	G 3/8	LW 10
132484	MS2393812	G 3/8	LW 12
130999	MS2393813	G 3/8	LW 13
131000	MS2391206	G 1/2	LW 6
131001	MS2391208	G 1/2	LW 8
131002	MS2391209	G 1/2	LW 9
131003	MS2391210	G 1/2	LW 10
132485	MS2391212	G 1/2	LW 12
131004	MS2391213	G 1/2	LW 13
131005	MS2391216	G 1/2	LW 16
131008	MS2391219	G 1/2	LW 19
131009	MS2393409	G 3/4	LW 9
131010	MS2393413	G 3/4	LW 13
131012	MS2393416	G 3/4	LW 16
131013	MS2393419	G 3/4	LW 19
131014	MS2393425	G 3/4	LW 25
131015	MS239119	G 1	LW 19
131016	MS239125	G 1	LW 25
131017	MS239132	G 1	LW 32

Reducing nipple, short type, parallel version

Art. No.	Type No.	Male thread	Female thread
134441	MS251K1418	G 1/4	G 1/8
134442	MS251K3818	G 3/8	G 1/8
134443	MS251K3814	G 3/8	G 1/4
134444	MS251K1218	G 1/2	G 1/8
134445	MS251K1214	G 1/2	G 1/4
134446	MS251K1238	G 1/2	G 3/8
134447	MS251K3414	G 3/4	G 1/4
134448	MS251K3438	G 3/4	G 3/8
134449	MS251K3412	G 3/4	G 1/2
134450	MS251K112	G 1	G 1/2

Double nipples

brass



MS2521414

Double nipple, parallel male thread

Art. No.	Type No.	Thread 1	Thread 2
131744	MS2521818	G 1/8	G 1/8
131752	MS2521814	G 1/8	G 1/4
131755	MS2521838	G 1/8	G 3/8
131756	MS2521414	G 1/4	G 1/4
131759	MS2521438	G 1/4	G 3/8
131764	MS2521412	G 1/4	G 1/2
131765	MS2523838	G 3/8	G 3/8
131791	MS2523812	G 3/8	G 1/2
131792	MS2523834	G 3/8	G 3/4
134118	MS252381	G 3/8	G 1
131770	MS2521212	G 1/2	G 1/2
131771	MS2521234	G 1/2	G 3/4
131772	MS252121	G 1/2	G 1
131773	MS2523434	G 3/4	G 3/4
131774	MS252341	G 3/4	G 1
131775	MS25211	G 1	G 1
131776	MS2521114	G 1	G 1 1/4
131777	MS2521112	G 1	G 1 1/2
131778	MS25212	G 1	G 2



You can find our assortment boxes on page 18!

PUSH-IN FITTINGS

Push-in fittings series manufactured in plastic and nickel-plated brass »blue series«

Temperature range	-20 °C bis 80 °C
Material	Plastic and nickel-plated brass
Recommended hose	PU or PA (Nylon)
Max. working pressure	15 bar

Male connectors

»blue series«



122.014-8

Male connector, parallel male thread with O-ring (NBR) and outer hex

Art. No.	Type No.	Thread	For tube O.D. mm
109114	122.018-4	G 1/8	4
109115	122.018-6	G 1/8	6
109116	122.018-8	G 1/8	8
109119	122.014-4	G 1/4	4
109120	122.014-6	G 1/4	6
109121	122.014-8	G 1/4	8
109124	122.038-6	G 3/8	6
109125	122.038-8	G 3/8	8
109126	122.038-10	G 3/8	10

Male elbows

»blue series«



125.018-6

Male elbow, swivel type, parallel male thread with O-ring (NBR)

Art. No.	Type No.	Thread	For tube O.D. mm
109261	125.018-4	G 1/8	4
109262	125.018-6	G 1/8	6
109263	125.018-8	G 1/8	8
109265	125.014-4	G 1/4	4
109266	125.014-6	G 1/4	6
109267	125.014-8	G 1/4	8
109270	125.038-6	G 3/8	6
109271	125.038-8	G 3/8	8
109272	125.038-10	G 3/8	10

Union tees

»blue series«



138.008

Union tee

Art. No.	Type No.	For tube O.D. mm
109827	138.004	4
109828	138.006	6
109829	138.068	8
109830	138.010	10

Union elbows

»blue series«

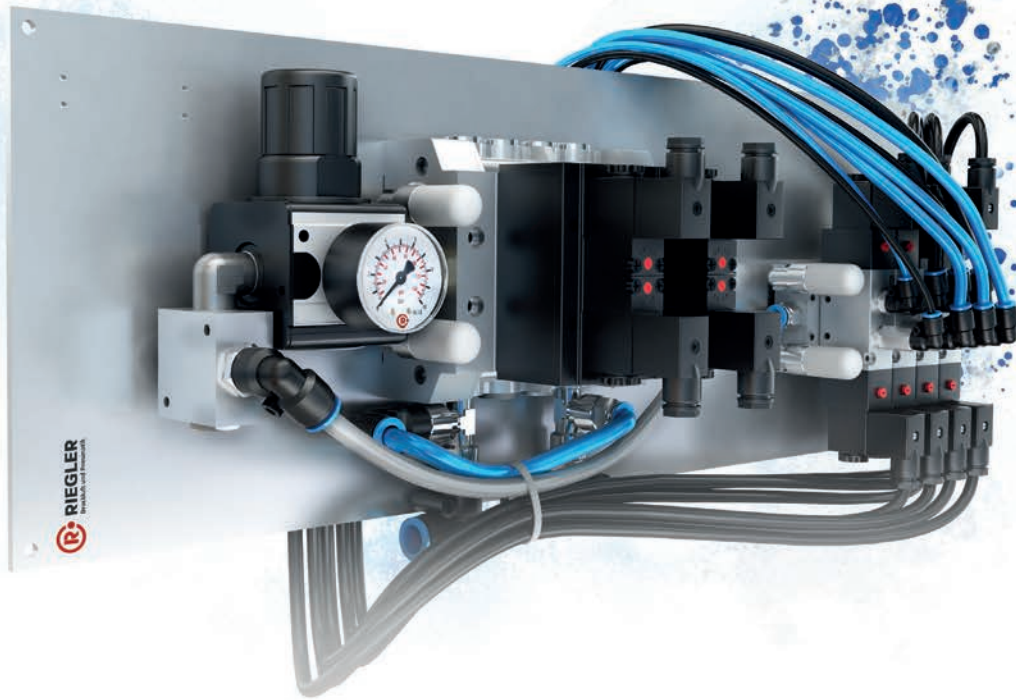


137.008

Union elbow

Art. No.	Type No.	For tube O.D. mm	Max. working pressure bar
109814	137.004	4	10
109815	137.006	6	10
109816	137.008	8	10
109817	137.010	10	10

 You can find our assortment boxes on page 18!



Unions

»blue series«



135.008

Union			
Art. No.	Type No.	For tube O.D. mm	Max. working pressure bar
109793	135.004	4	10
109794	135.006	6	10
109795	135.008	8	10
109796	135.010	10	10

Reducer			
Art. No.	Type No.	For tube O.D. mm	Max. working pressure bar
109800	136.0604	6/4	10
109802	136.0806	8/6	10
109804	136.1008	10/8	10

Plugs

»blue series«



144.008

Plug		
Art. No.	Type No.	Plug connection mm
109926	144.004	4
109927	144.006	6
109928	144.008	8
109929	144.010	10

Reducers with push-in plug

»blue series«



143.0608

Reducer with push-in plug			
Art. No.	Type No.	Plug connection mm	For tube O.D. mm
109878	143.0608	8	6
109879	143.0610	10	6
109881	143.0810	10	8
109883	143.1012	12	10

BITE-TYPE TUBE FITTINGS



Male connectors

galvanised steel acc. DIN 2353



V 28-ZW

Male elbows

galvanised steel acc. DIN 2353



V 93

Male connector, conical male thread acc. to ISO 7-1, light type

Art. No.	Type No.	Thread	Tube O.D. mm
112125	V 25	R 1/8	6
112127	V 28	R 1/4	6
112126	V 26	R 1/8	6
112128	V 29	R 1/4	8
112132	V 34	R 3/8	8
112136	V 38	R 1/2	8
112129	V 30	R 1/4	8
112133	V 35	R 3/8	10
112137	V 39	R 1/2	10
112130	V 31	R 1/4	10
112134	V 36	R 3/8	12
112138	V 40	R 1/2	12

Male elbow, conical male thread acc. to ISO 7-1, light type

Art. No.	Type No.	Thread	Tube O.D. mm
112169	V 90	R 1/8	6
112171	V 92	R 1/4	6
112170	V 91	R 1/8	8
112172	V 93	R 1/4	8
112175	V 97	R 3/8	8
112173	V 94	R 1/4	10
112176	V 98	R 3/8	10
112179	V 101	R 1/2	10
112174	V 95	R 1/4	12
112177	V 99	R 3/8	12
112180	V 102	R 1/2	12

Male connector, parallel male thread and soft seal, light type

Art. No.	Type No.	Thread	Tube O.D. mm
112249	V 25-ZW	G 1/8	6
112251	V 28-ZW	G 1/4	6
112255	V 33-ZW	G 3/8	6
112250	V 26-ZW	G 1/8	8
112252	V 29-ZW	G 1/4	8
112256	V 34-ZW	G 3/8	8
112260	V 38-ZW	G 1/2	8
112253	V 30-ZW	G 1/4	10
112257	V 35-ZW	G 3/8	10
112261	V 39-ZW	G 1/2	10
112254	V 31-ZW	G 1/4	12
112258	V 36-ZW	G 3/8	12
112262	V 40-ZW	G 1/2	12

Adjustable union elbows

galvanised steel acc. DIN 2353



V 513

Adjustable union elbow with cone seal, 360° swivel range, light type

Art. No.	Type No.	Female nut thread	Tube O.D. mm
112068	V 511	M12x1.5	6
112069	V 512	M14x1.5	8
112070	V 513	M16x1.5	10
112071	V 514	M18x1.5	12
112072	V 515	M22x1.5	15

Unions

galvanised steel acc. DIN 2353



V 55

Union, light type

Art. No.	Type No.	Tube O.D. mm
112147	V 54	6
112148	V 55	8
112149	V 56	10
112150	V 57	12

Union elbows

galvanised steel acc. DIN 2353



V 75

Union elbow, light type

Art. No.	Type No.	Tube O.D. mm
112158	V 74	6
112159	V 75	8
112160	V 76	10
112161	V 77	12

Branch tees

galvanised steel acc. DIN 2353



V 136

Branch tee, light type

Art. No.	Type No.	Tube O.D. mm
112198	V 135	6
112199	V 136	8
112200	V 137	10
112201	V 138	12

FITTINGS

Max. operating temperature

150 °C

Max. operating pressure

60 bar

Elbows

brass with a bare metal surface



253.12

Tees

brass with a bare metal surface



254.34

Elbow, female-female, parallel acc. to DIN EN ISO 228-1

Art. No.	Type No.	Thread	L1 mm	L2 mm
112702	253.11	G 1/8	21.0	21.0
112703	253.12	G 1/4	25.5	25.5
112704	253.13	G 3/8	28.0	28.0
112705	253.14	G 1/2	33.5	33.5
112706	253.32	G 3/4	36.5	36.5
112707	253.33	G 1	45.0	45.0

Elbow, female-male, male: con. acc. DIN 2999, female: par. acc. DIN EN ISO 228-1

Art. No.	Type No.	Thread	L1 mm	L2 mm
112708	253.15	G/R 1/8	18.5	21.0
112709	253.16	G/R 1/4	23.5	25.5
112710	253.17	G/R 3/8	26.0	28.0
112711	253.18	G/R 1/2	31.0	33.5
112712	253.19	G/R 3/4	33.0	36.5
112713	253.20	G/R 1	39.0	45.0

Tee, female-female-male, male: con. DIN 2999, female: par. acc. DIN EN ISO 228-1

Art. No.	Type No.	Thread	L1 mm	L2 mm
112732	254.71	G/R 1/8	39.5	21.0
112733	254.72	G/R 1/4	49.0	25.5
112734	254.73	G/R 3/8	54.0	28.0
112735	254.74	G/R 1/2	64.5	33.0
112736	254.75	G/R 3/4	69.5	36.5
112737	254.76	G/R 1	84.0	45.0

Tee, female-female-female, parallel acc. to DIN EN ISO 228-1

Art. No.	Type No.	Thread	L1 mm	L2 mm
112720	254.33	G 1/8	42.0	21.0
112721	254.34	G 1/4	51.0	25.5
112722	254.35	G 3/8	56.0	28.0
112723	254.39	G 1/2	67.0	33.5
112724	254.48	G 3/4	73.0	36.5
112725	254.49	G 1	90.0	45.0

ASSORTMENT BOXES

Assortment box Quick disconnect couplings DN 7.2

»connect line«, brass with a bare metal surface

Easy to handle, durable and high quality plastic assortment box with the most common items of our quick disconnect couplings DN 7.2, plug-in connectors and nipples.

Assortment box, quick disconnect couplings DN 7.2, »connect line«

Art. No.	Type No.
131696	KSB 500



KSB 500

Assortment box Brass turned parts

Practical, high-quality assortment of the most popular hose fittings, sockets, double nipples, reducing nipples, plugs and lock nuts in our range of brass turned parts.

Assortment box, brass turned parts

Art. No.	Type No.
111329	DTB 300



DTB 300

Assortment box Push-in fittings

»blue series«

Easy to handle, durable and high quality plastic assortment box with 31 different types from the quick-connect fittings »blue series« area and accessories, clearly visible in 24 transparent boxes.

Assortment box, push-in fittings

Art. No.	Type No.
109907	PIB 100



PIB 100

HOSES AND ACCESSORIES



Workshop hose

soft PVC

Highly flexible hose for compressed air applications in the workshop area (compressed air supply for pneumatic tools, equipping assembly stations, etc.). The uniform fibre insert guarantees high pressure resistance, very good handling, high mechanical strength and outstanding adhesion. The high ozone resistance contributes to the long service life and safety of the hose.



192.09

Temperature range	-20 °C to 60 °C
Working pressure	at 23 °C max. 15 bar
Outer cover	Soft PVC, blue
Braid	High-strength polyester fabric
Inner tube	Soft PVC, black

Workshop hose soft PVC

Art. No.	Type No.	Tube I.D. mm	Tube O.D. mm
113833	192.06	11	6.3
113835	192.09	14.5	9
113837	192.13	19	12.7

PVC braided hose

in reels à 50 m and 25 m

Flexible, pressure resistant and wear resistant standard hose.

- complies with EU Regulation No. 10/2011 regarding contact with food, simulants A, B, C
- good chemical resistance when gaseous or liquid media are conveyed
- use of high-quality materials guarantees enhanced durability and UV protection

Temperature range	-15 °C to 60 °C
Working pressure	at 23 °C max. 15 bar



190/2

PVC braided hose

Art. No.	Type No.	Tube I.D. mm	Tube O.D. mm
113719	190/2	12	6
113721	190/4	15	9
113724	190/6-1	20	13

Polyamide hose (PA 12 PHL)

PA 12 is resistant against grease, oils, fuels, hydraulic fluids, alkalis and salt solutions

Temperature range -40 °C to 80 °C

Polyamide hose (PA 12 PHL)					
Art. No.	Type No.	Tube O.D. mm	Tube I.D. mm	Max. operating pressure at 20 °C bar	Colour
113506	259.09 N	4	2	44	natural
113507	259.09 B	4	2	44	blue
113510	259.09 S	4	2	44	black
113523	259.11 N	6	4	27	natural
113524	259.11 B	6	4	27	blue
113527	259.11 S	6	4	27	black
113530	259.12 N	8	6	19	natural
113531	259.12 B	8	6	19	blue
113534	259.12 S	8	6	19	black
154872	259.61 N	10	7	15	natural
154873	259.61 B	10	7	15	blue
154874	259.61 S	10	7	15	black



Polyurethane hose (PUR)

PUR is resistant against most oils, greases, aliphatic hydrocarbons and oxygen.

Temperature range -20 °C to 60 °C

Polyurethane hose (PUR)					
Art. No.	Type No.	Tube O.D. mm	Tube I.D. mm	Max. operating pressure at 23 °C bar	Colour
113649	259.04 N	4	2	16	natural
113650	259.04 B	4	2	16	blue
113653	259.04 S	4	2	16	black
113663	259.16 N	6	4	11	natural
113664	259.16 B	6	4	11	blue
113667	259.16 S	6	4	11	black
113670	259.17 N	8	6	10	natural
113671	259.17 B	8	6	10	blue
113674	259.17 S	8	6	10	black
154881	259.64 N	10	7	10	natural
154882	259.64 B	10	7	10	blue
154883	259.64 S	10	7	10	black



Spiral hose and coupling kit

spiral hose, polyamide, PA12

For safe and effective flow. Space-saving due to small windings.

Easy handling due to low weight.

Spiral hose and coupling kit with standard coupling bare brass, DN 7.2 and push-in plug, bare brass

Art. No.	Type No.	Hose size mm	Max. operating pressure at 23 °C bar	Operating temperature °C	Service length max. m
158126	SP8250PASK	8x6	19	-20 bis 80	2.5
158127	SP8500PASK	8x6	19	-20 bis 80	5
158128	SP8750PASK	8x6	19	-20 bis 80	7.5

Spiral hose and coupling kit with pushbutton-type safety coupling DN 7.4 and push-in plug galvanised steel

Art. No.	Type No.	Hose size mm	Max. operating pressure at 23 °C bar	Operating temperature °C	Service length max. m
158138	SP8250PADSK	8x6	19	-20 bis 70	2.5
158139	SP8500PADSK	8x6	19	-20 bis 70	5
158140	SP8750PADSK	8x6	19	-20 bis 70	7.5



SP8500PASK

Spiral hose and coupling kit

spiral hose polyurethane

The hose is extremely flexible and kink-resistant.

Temperature range -20 °C to 60 °C

Spiral hose and coupling kit with quick disconnect coupling bare brass, DN 7.2 and push-in plug, bare brass

Art. No.	Type No.	Hose size mm	Max. operating pressure at 23 °C bar	Service length max. m
158174	SP8300PUSK	8x5	12	3
158175	SP8600PUSK	8x5	12	6
158176	SP8750PUSK	8x5	12	7.5

Spiral hose and coupling kit with pushbutton-type safety coupling DN 7.4 and push-in plug, galvanised steel

Art. No.	Type No.	Hose size mm	Max. operating pressure at 23 °C bar	Service length max. m
158190	SP10300PUDSK	10x6.5	11	3
158191	SP10600PUDSK	10x6.5	11	6
158192	SP10750PUDSK	10x6.5	11	7.5



SP8600PUSK



SP8600PUDSK

Soft PVC air hose kits

soft PVC workshop hose assembly

Highly flexible hose for compressed air applications in workshop areas. Assembled with brass stem and brass quick disconnect coupling DN 7.2 optional with pushbutton safety coupling DN 7.4 and galvanised steel stem.

Temperature range	-20 °C to 60 °C
Outer covere	Soft PVC, blue
Braid	High-strength polyester fabric

Soft PVC workshop hose kits with quick disconnect coupling and stem DN 7.2, brass

Art. No.	Type No.	Tube O.D. mm	Tube I.D. mm	Hose length m	Max. operating pressure at 20 °C bar
113841	DSB6-5	11	6.3	5	15
113842	DSB6-10	11	6.3	10	15
113846	DSB9-5	14.5	9	5	15
113847	DSB9-10	14.5	9	10	15



DSB6-S

Soft PVC workshop hose kits with pushbutton safety coupling DN 7.4 and stem galvanised steel

Art. No.	Type No.	Tube O.D. mm	Tube I.D. mm	Hose length m	Max. operating pressure at 20 °C bar
113851	DSB6-5S	11	6.3	5	12
113852	DSB6-10S	11	6.3	10	12
113854	DSB9-5S	14.5	9	5	12
113855	DSB9-10S	14.5	9	10	12



DSB6-5S

PVC air hose kits

PVC braided hose assembly

Flexible, pressure-resistant and non-abrasive standard hose, also resistant to ageing. Assembled with brass stem and brass quick disconnect coupling DN 7.2.

Temperature range	-15 °C to 60 °C
Operating pressure	at 23 °C max. 15 bar

PVC braided hose kit with quick disconnect coupling and stem DN 7.2, brass

Art. No.	Type No.	Tube O.D. mm	Tube I.D. mm	Hose length m
113747	DSK6-5	12	6	5
113748	DSK6-10	12	6	10
113752	DSK9-5	15	9	5
113753	DSK9-10	15	9	10



DSK6-5

Compressed air hose reels

Including 20 m high quality PVC braided hose, quick-connect couplings (DN 7.2) and all connecting pieces.

Compressed air hose reels

Art. No.	Type No.	Hose length m
113975	190/226	12 x 6
113976	190/226	15 x 9



190/226

Spiral hoses

made of polyurethane

Standard design. The hose is extremely flexible and kink-resistant.

Temperature range -20 °C to 60 °C

Spiral hose, with swivel adapter and kink protector

Art. No.	Type No.	Thread	Hose size mm	Max. operating pressure at 23 °C bar	Service length max. m
158156	SP8300PU	G 1/4	8x5	12	3
158157	SP8600PU	G 1/4	8x5	12	6
158158	SP8750PU	G 1/4	8x5	12	7.5
158160	SP10300PU	G 1/4	10x6.5	11	3
158161	SP10600PU	G 1/4	10x6.5	11	6
158162	SP10750PU	G 1/4	10x6.5	11	7.5



SP8600PU

Hose reel

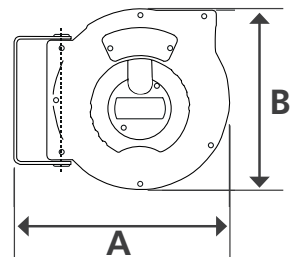
standard type for compressed air and water

Hose reel with automatic rewind and spring assembly. Robust hose locking mechanism, impact resistant plastic casing. Swivel wall mount made from coated steel. Easy mounting on the wall or ceiling.

Hose material	Polyurethan (PUR)
Max. operating temperature	40 °C
Thread, input	G 1/4 female
Thread, output	G 1/4 male
Swivel angle	150 °
Applications	for compressed air and water



276.12



Hose reel, standard type

Art. No.	Type No.	Hose size mm	Max. operating pressure bar	Hose length m	A mm	B mm
113978	275.09	8x12	9	10	325.0	275
113979	276.12	8x12	12	15	355.0	315

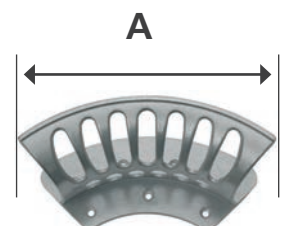
Hose holders

aluminium

Suitable for receiving hoses, cables and ropes.

Hose holders

Art. No.	Type No.	Max. hose length	Size	A (mm)
113983	SH 01	for DN 6, 35–40 m	small	187
113984	SH 02	for DN 9, 45–50 m	medium	254
113985	SH 03	for DN1, 45–50 m	large	348



SH 02

BLOW GUNS AND SAFETY NOZZELS



High-volume blow guns

»Typhoon« type

Steplessly adjustable, lightweight and ergonomically optimised high-volume blow gun with exceptionally high blowing power.

The »Typhoon« model, which achieves approximately three times the blowing power of conventional guns.

In combination with safety nozzles, this blow gun meets a wide range of safety requirements.

Gun body	Aluminium
Hand lever	Die-cast aluminium
Max. operating pressure	10 bar
Connecting thread	G 1/4
Nozzle	1/2" - 27 UNS



29 K

High-volume blow gun with standard nozzle

Art. No.	Type No.	Type of connection
118124	29 V	G 1/4 female
114432	29 K	Push-in plug for DN 7.2 coupling

High-volume blow gun, without nozzle

Art. No.	Type No.	Type of connection
114445	29 K-KD	G 1/4

Safety nozzles

for high-volume blow guns

If laid out correctly, with these noise-reducing nozzles a lower noise level is achieved with the same blowing force compared to conventional single hole nozzles.

Low-noise round nozzle, 1/2" - 27 UNS connection

Art. No.	Type No.	Material	Length mm
114459	29.203	Aluminium	41.0



29.203

Blow guns

made of aluminium, anodised blue,
»blow line« series

The classic aluminium gun with the proven silencer nozzle for blowing out and cleaning machines, workpieces, bore holes, hollow parts, etc.

Max. operating pressure 10 bar
Working pressure 2 – 6 bar
Temperature range -10 °C to 50 °C



31 K

Blow gun with silencer nozzle

Art. No.	Type No.	Type of connection
115710	31 K	Push-in plug for DN 7.2 coupling

Variable-control blow guns

made of aluminium

The blowing power can be individually adapted. Therefore variable-control blow guns are suitable for a wide range of applications.

Max. operating pressure 16 bar
Working pressure 2 – 6 bar
Temperature range -10 °C to 50 °C
Material Aluminium
Nozzle M12x1.25



26 K

Blow gun with standard nozzle, bore 2.0 mm

Art. No.	Type No.	Type of connection
137615	26 V	G 1/4 female
114423	26 K	Push-in plug for DN 7.2 coupling

Blow guns

plastic

For blowing out and cleaning machines, engines, bearings, sliding surfaces, bores of all kinds, hollow parts, moulds, etc.

Max. operating pressure 10 bar
Working pressure 1 – 6 bar
Temperature range -20 °C to 50 °C

Blow gun with short nozzle

Art. No.	Type No.	Type of connection
114371	23 D	G 1/4 IT
114373	23 F	Push-in plug for DN 7.2 coupling

Blow gun with safety nozzle

Art. No.	Type No.	Type of connection
114377	24 D	G 1/4 IT
114379	24 F	Push-in plug for DN 7.2 coupling

Blow gun with extension tube

Art. No.	Type No.	Type of connection
114383	25 D	G 1/4 IT
114385	25 F	Push-in plug for DN 7.2 coupling



24 D



25 D

Blow gun holder

Suitable for all aluminium and plastic blow guns (exception: »Typhoon« blow guns).

Blow gun holder

Art. No.	Type No.
142249	BPH-1



BPH-1

Handheld tyre gauges

standard type

Robust standard handheld tyre gauge with completely rubber coated protective covering, pressure gauge with bar and psi display. Calibrated, optional uncalibrated design. Hose length 50 cm. With brass plug nipple for coupling DN 7.2 – 7.8.



39.011

Standard type handheld tyre gauge with clip connector, hose rigid

Art. No.	Type No.	Description	Pressure gauge Ø mm	Hose connection	Measuring range
114543	39.011	uncalibrated	63	G 1/4, rigit	0–12 bar/170 psi

Standard type handheld tyre gauge with clip connector, hose swivelling

Art. No.	Type No.	Description	Pressure gauge Ø mm	Hose connection	Measuring range
136799	39.021	calibrated	80	G 1/4, swivelling	0–12 bar/170 psi
136800	39.022	uncalibrated	80	G 1/4, swivelling	0–12 bar/170 psi

Standard type handheld tyre gauge with tyre valve connector, hose swivelling

Art. No.	Type No.	Description	Pressure gauge Ø mm	Hose connection	Measuring range
136783	39.031	calibrated	80	G 1/4, swivelling	0–12 bar/170 psi
136784	39.032	uncalibrated	80	G 1/4, swivelling	0–12 bar/170 psi

Standard type handheld tyre gauge with hold-on connector, hose swivelling

Art. No.	Type No.	Description	Pressure gauge Ø mm	Hose connection	Measuring range
136786	39.041	calibrated	80	G 1/4, swivelling	0–12 bar /170 psi
136787	39.042	uncalibrated	80	G 1/4, swivelling	0–12 bar/170 psi



39.021

Handheld tyre gauge in pistol shape

standard type

Robust standard handheld tyre gauge in pistol shape. Pressure gauge with bar and psi display in completely rubber coated protective covering. Uncalibrated design with quick connector, hose length 50 cm. With plug nipple for coupling DN 7.2 – 7.8.



39.013

Standard type handheld tyre gauge in pistol shape, hose rigid

Art. No.	Type No.	Description	Pressure gauge Ø mm	Measuring range
118500	39.013	uncalibrated, with quick connector	63	0–12 bar/170 psi
136785	39.014	uncalibrated, with tyre valve connector	63	0–12 bar/170 psi
136788	39.015	uncalibrated, with garage connector	63	0–12 bar/170 psi

RIEGLER Lock AN 302-43

screw locking, medium strength, DVGW certified

The standard adhesive for screw and thread retainer for all threads up to M36. For economical securing, fastening, sealing of screw, joint and surface connections.

Simple, fast and economical in use, hand-tight within minutes, hardens in a few hours.

RIEGLER Lock AN 302-43

Art. No.	Type No.	Description
114554	3024/50	container 50 ml



3024/250

PTFE sealing tape

Thread sealing tape made of pure, sintered PTFE, silicone-free. DIN/DVGW tested and approved. Chemically resistant against aggressive media. Does not get brittle, swell or stick.

Operating temperature -60 °C to 200 °C

PTFE sealing tape

Art. No.	Type No.	Length m	Width mm	Thickness mm
114123	258.66	12	12.0	0.1



258.66

Hose cutter

Hose cutter

Art. No.	Type No.	max. Tube O.D. (mm)
113588	259.550	14



259.550

Hose cutter

Robust, practical cutting pliers with replaceable blades. Suitable for all standard plastic hoses.

Schlauchabschneider

Art. No.	Type No.	max. Tube O.D. (mm)
113584	259.555	17



259.555



The products in this brochure are available exclusively from: